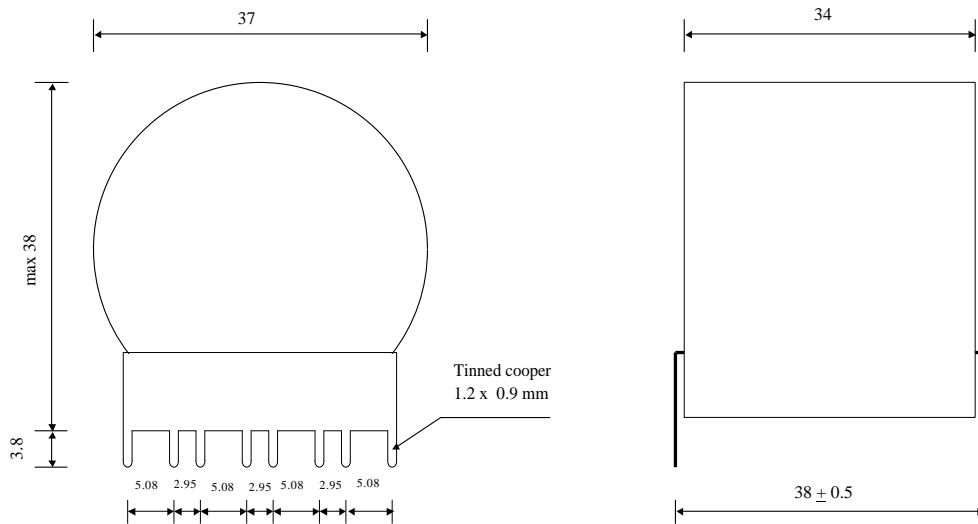


#5681

METALLIZED POLYPROPYLENE CAPACITORS

PPMCI 60-35.0 K



Dielectric of metallized polypropylene

Polyester wrapped / Epoxy resin sealing

Terminals for connection to Printed Circuit Board

Parameter	Symbol		Value	Unit	Condition
Capacitance	C		35	μF	1 V / 1 kHz
Tolerance			± 10	%	
Rated voltage	Un DC		600	VDC	
Rated voltage	Un AC		120	Veff	50 Hz to 400 Hz
RMS current permanent	Ieff max.		21	Aeff	2 kHz to 100 kHz
slope of voltage variation	du/dt max.		30	V/ μsec	
Tangent delta	tg δ		6	10^{-4}	1 V / 1 kHz
Tangent delta	tg δ		41	10^{-4}	1 V / 10 kHz
Stray inductance	ESL		≤ 10	nH	
Insulation resistance	Ri		> 600	M Ω	500 VDC - 1 min
Test voltage between terminals	U T1		900	VDC	10 s
Operating temp.			- 55 / + 105 °C		
Estimated operational life (-3%)			> 100'000	h	Un DC / 70°C
Dimension	Symbol			Unit	Conditions
Diameter	\varnothing		37	mm	
Height max.	H		38	mm	
Length			34	mm	
Terminals					
Tinned brass	(8 x)		1.2 x 0.9	mm	
	M1				
	M0				
	Modification	Date	Visa émetteur		

Condensateurs CH 1400 Yverdon-les-Bains
 Kondensatoren Tel.: ++41 24 445 66 88
 Capacitors Fax: ++41 24 445 66 89

Le Lanché
Capacitors
A FISCHER & TAUSSCHER COMPANY

HJJ

12.07.2007

faisab5681.XLS