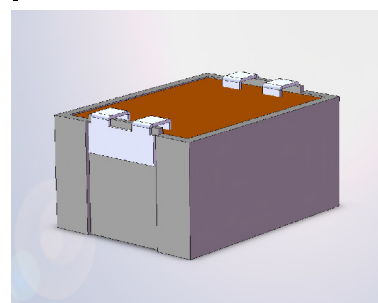
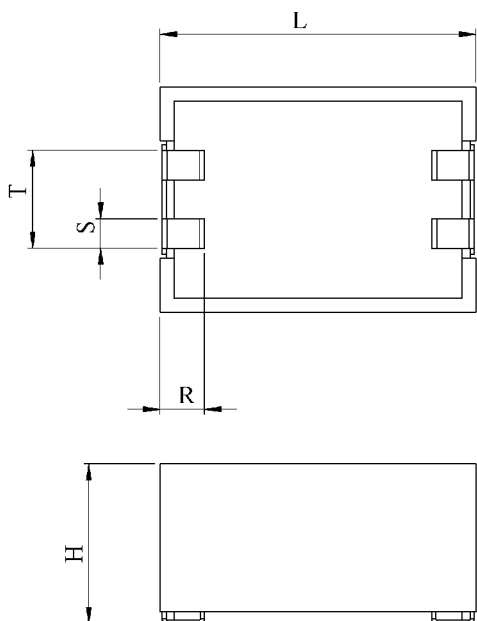
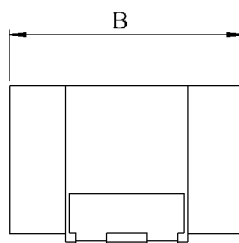


#6323

Power Electronics Capacitors

MKT 25-3.3 SMD K

Preliminary
data sheet

Surface mount device - Self-extinguishing plastic housing

Dielectric metallized polyester - Epoxy resin sealing UL 94-V0

Parameter	Symbol		Value	Unit	Condition
Capacitance	C		3.3	μF	1 V / 1 kHz
Tolerance			± 10	%	
Rated voltage	Un DC		250	VDC	
Maximum current	I RMS max.		5	Aeff	300 kHz / 105 °C
Tangent delta	tg δ		≤ 90	10^{-4}	1 kHz
Equivalent serie resistance	ESR		≤ 12.5	m Ω	300 kHz
Stray inductance	ESL		≤ 10	nH	
Insulation resistance	Ri		> 760	M Ω	100 VDC - 1 min
Test voltage between terminals	U T1		400	VDC	10 s
Operating temperature			-55 to +125	°C	
Dimension	Symbol			Unit	Conditions
Width	B max		15.5	mm	
Height	H max		14	mm	
Length	L max		16.5	mm	
Terminals					
	R		2.25 ± 0.25	mm	
	S		2 ± 0.2	mm	
	T		7 ± 0.25	mm	
	M1				
	M0				
	Modification	Date	Visa émetteur		

Condensateurs CH 1400 Yverdon-les-Bains
 Kondensatoren Tel.: ++41 24 445 66 88
 Capacitors Fax: ++41 24 445 66 89

Lecdanché
Capacitors
A FRECHER & TAUSSCHÉ COMPANY

HJJ

www.Lcap.ch
13.08.2014capinfo@Lcap.ch
faisab6323.XLS