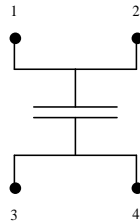
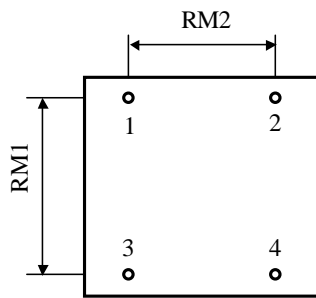


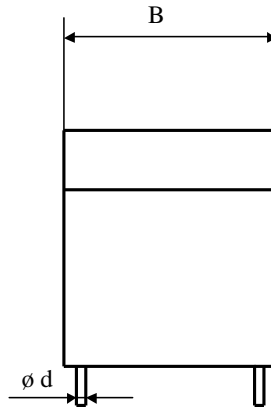
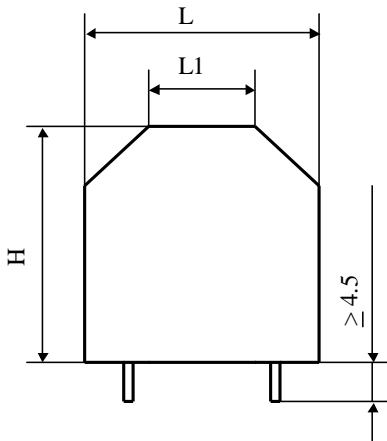
#5824

Power Electronics Capacitors

MKTJC-4 25-47.0 g K



Printed circuit board mounting



Self-extinguishing plastic housing

Dielectric of metallized polyester

Epoxy resin sealing

| Parameter | Symbol | | Value | Unit | Condition |
|----------------------------------|--------------|------|--|--------------------|--|
| Capacitance | C | | 47 | μF | 1 V / 1 kHz |
| Tolerance | | | ± 10 | % | |
| Rated voltage | Un DC | | 250 | VDC | |
| Rated voltage | Un AC | | 70 | Veff | 50 to 150 Hz |
| RMS current | I RMS max. | | 20 | Aeff | 20 kHz to 100 kHz |
| slope of voltage variation | du/dt max. | | 20 | V/ μsec | max. repetitive |
| Repetitive surge current | I cr. max | | 940 | A | |
| Tangent delta | tg δ | | ≤ 80 | 10^{-4} | 1 kHz |
| Equivalent serie resistance | ESR | | ≤ 3.6 | m Ω | 1 V / 100 kHz |
| Stray inductance | ESL | | ≤ 15 | nH | |
| Insulation resistance | Ri x C | | $> 10^4$ | s | 100 VDC - 1 min |
| Test voltage between terminals | U T1 | | 400 | VDC | 10 s |
| Operating temperature | | | $-25^{\circ}\text{C} / + 85^{\circ}\text{C}$ | | |
| Estimated operational life (-3%) | | | $> 100^4$ | h | Un DC / 40°C 18 A RMS / 100 kHz |
| Dimension | Symbol | | | Unit | Conditions |
| Width | B | | 36 | mm | |
| Length | L | | 40 | mm | |
| | L1 | | 18 | mm | |
| Height | H | | 40 | mm | |
| Terminals tinned wire | ϕd | | 1.2 | mm | |
| RM1 | | | 30 | mm | |
| RM2 | | | 25 | mm | |
| | M1 | | | | |
| | M0 | | | | |
| | Modification | Date | Visa émetteur | | |

Condensateurs CH 1400 Yverdon-les-Bains
 Kondensatoren Tel.: ++41 24 445 66 88
 Capacitors Fax: ++41 24 445 66 89

Le lanché
Capacitors
A FISCHER & TAUSSCHKE COMPANY

HJJ

29.05.2009

faisab5824.XLS