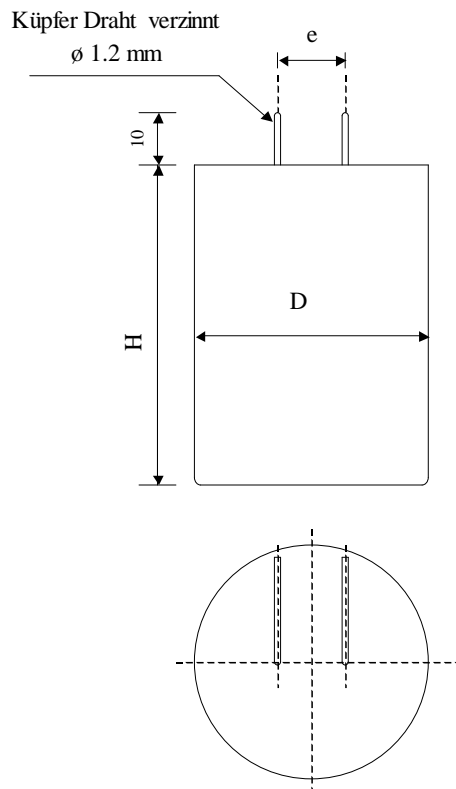


#5793

HIGH TEMPERATURE FILM CAPACITORS

MKS 63-010 c3 G

Dielectric of metallized  
polyphenylene sulfide

Resin end sealing

Aluminium case

Parameter	Symbol		Value	Unit	Condition
Capacitance	C		0.1	$\mu$ F	1 V / 1 kHz
Tolerance			$\pm$ 2	%	
Rated voltage	Un DC		630	VDC	
Rated voltage	Un AC		250	Veff	2000 Hz
slope of voltage variation	du/dt max.		150	V/ $\mu$ sec	max. repetitive
Repetitive surge current	I cr. max		15	A	
Tangent delta	tg $\delta$		$\leq$ 10	$10^{-4}$	1 V / 1 kHz / 22°C
Stray inductance	ESL		$\leq$ 50	nH	
Insulation resistance	Ri		> 50'000	M $\Omega$	100 VDC - 1 min
Test voltage between terminals	U T1		625	VAC	50 Hz / 2 sec.
Test voltage terminals to case	U T2		2500	VAC	50 Hz / 2 sec.
Operating temperature			- 40 ... + 85	°C	
Estimated operational life (-3%)			100'000	h	Un AC / 2000 Hz

Dimension	Symbol		Value	Unit	Conditions
Diameter	D		25	mm	
Height	H		40	mm	
Terminals					
Lead	$\varnothing$		1.2	mm	
Thread spacing	e		10.0 $\pm$ 2	mm	

	M1				
	M0				
	Modification	Date	Visa émetteur		

Condensateurs CH 1400 Yverdon-les-Bains  
 Kondensatoren Tel.: ++41 24 445 66 88  
 Capacitors Fax: ++41 24 445 66 89

**Le lanché**  
**Capacitors**  
A FROGNER & SAUERLE COMPANY

HJJ

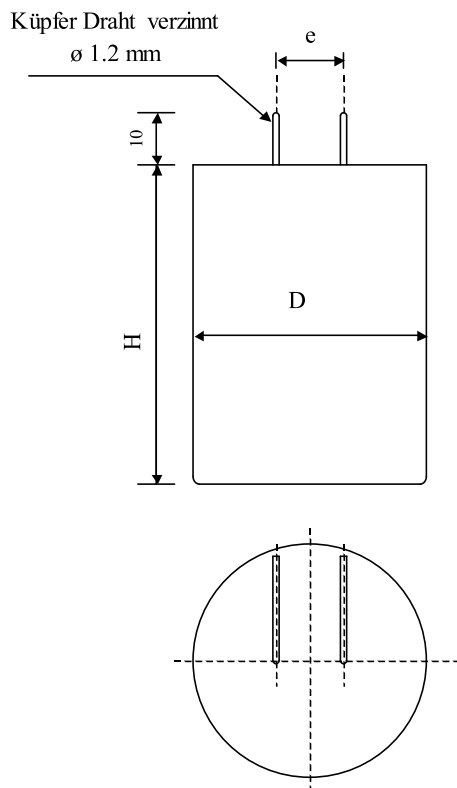
19.03.2009

faisab5793.XLS

#5794

HIGH TEMPERATURE FILM CAPACITORS

MKS 63-020 c3 G

Dielectric of metallized  
polyphenylene sulfide

Resin end sealing

Aluminium case

Parameter	Symbol	Value	Unit	Condition
Capacitance	C	0.2	$\mu\text{F}$	1 V / 1 kHz
Tolerance		$\pm 2$	%	
Rated voltage	Un DC	630	VDC	
Rated voltage	Un AC	250	Veff	1000 Hz
slope of voltage variation	du/dt max.	150	V/ $\mu\text{sec}$	max. repetitive
Repetitive surge current	I cr. max	15	A	
Tangent delta	tg $\delta$	$\leq 10$	$10^{-4}$	1 V / 1 kHz / 22°C
Stray inductance	ESL	$\leq 50$	nH	
Insulation resistance	Ri	$> 25'000$	M $\Omega$	100 VDC - 1 min
Test voltage between terminals	U T1	625	VAC	50 Hz / 2 sec.
Test voltage terminals to case	U T2	2500	VAC	50 Hz / 2 sec.
Operating temperature		- 40 ... + 85	°C	
Estimated operational life (-3%)		100'000	h	Un AC / 1000 Hz
Dimension	Symbol		Unit	Conditions
Diameter	D	25	mm	
Height	H	40	mm	
Terminals				
Lead	$\emptyset$	1.2	mm	
Thread spacing	e	$10.0 \pm 2$	mm	
	M1			
	M0			
	Modification	Date	Visa émetteur	

Condensateurs CH 1400 Yverdon-les-Bains  
 Kondensatoren Tel.: ++41 24 445 66 88  
 Capacitors Fax: ++41 24 445 66 89

**Le lanché**  
**Capacitors**  
A FISCHER & TALSCHER COMPANY

HJJ

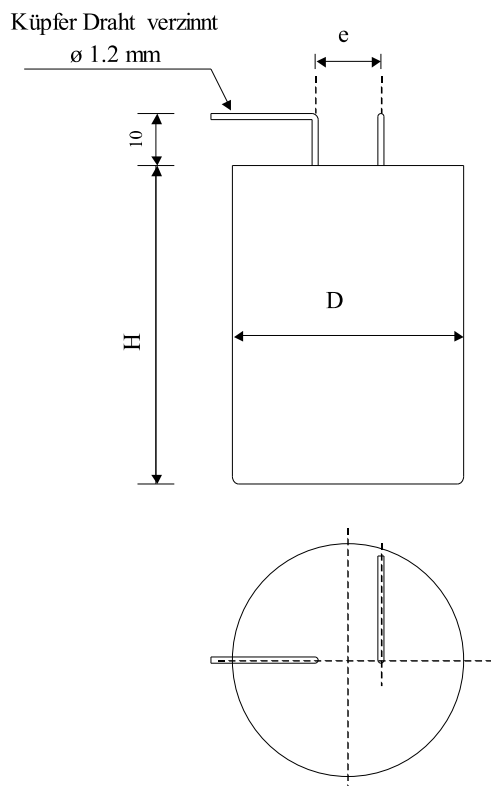
19.03.2009

faisab5794.XLS

#5758

HIGH TEMPERATURE FILM CAPACITORS

MKS 63-025 c3 G

Dielectric of metallized  
polyphenylene sulfide

Resin end sealing

Aluminium case

Parameter	Symbol	Value	Unit	Condition
Capacitance	C	0.25	$\mu\text{F}$	1 V / 1 kHz
Tolerance		$\pm 2$	%	
Rated voltage	Un DC	630	VDC	
Rated voltage	Un AC	250	Veff	2000 Hz
slope of voltage variation	du/dt max.	150	V/ $\mu\text{sec}$	max. repetitive
Repetitive surge current	I cr. max	37.5	A	
Tangent delta	tg $\delta$	$\leq 10$	$10^{-4}$	1 V / 1 kHz / 22°C
Stray inductance	ESL	$\leq 50$	nH	
Insulation resistance	Ri	$> 20'000$	M $\Omega$	100 VDC - 1 min
Test voltage between terminals	U T1	625	VAC	50 Hz / 2 sec.
Test voltage terminals to case	U T2	2500	VAC	50 Hz / 2 sec.
Operating temperature		- 40 ... + 85	°C	
Estimated operational life (-3%)		100'000	h	Un AC / 2000 Hz
Dimension	Symbol	Value	Unit	Conditions
Diameter	D	25	mm	
Height	H	40	mm	
Terminals				
Lead	$\emptyset$	1.2	mm	
Thread spacing	e	10.0 $\pm$ 2	mm	
	M1			
	M0			
	Modification	Date	Visa émetteur	

Condensateurs CH 1400 Yverdon-les-Bains  
 Kondensatoren Tel.: ++41 24 445 66 88  
 Capacitors Fax: ++41 24 445 66 89

**Le lanché**  
**Capacitors**  
A FISCHER & TALSCHER COMPANY

HJJ

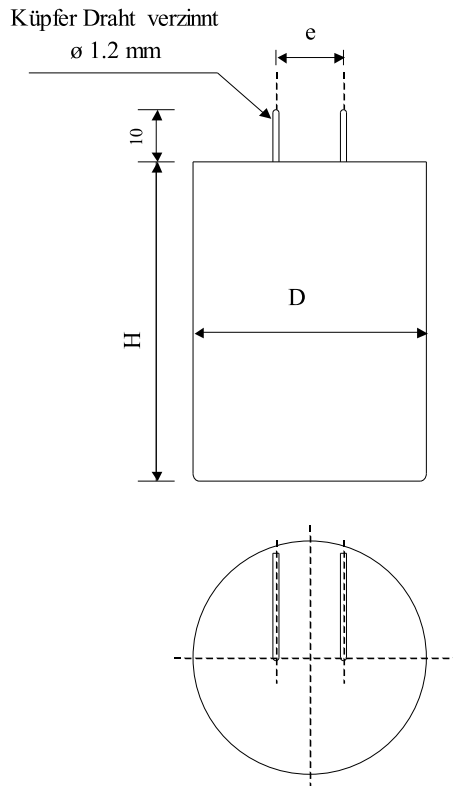
08.10.2008

faisab5758.XLS

#5731

HIGH TEMPERATURE FILM CAPACITORS

MKS 63-045 c3 G

Dielectric of metallized  
polyphenylene sulfide

Resin end sealing

Aluminium case

Parameter	Symbol	Value	Unit	Condition
Capacitance	C	0.45	$\mu\text{F}$	1 V / 1 kHz
Tolerance		$\pm 2$	%	
Rated voltage	Un DC	630	VDC	
Rated voltage	Un AC	250	Veff	500 Hz
slope of voltage variation	du/dt max.	150	V/ $\mu\text{sec}$	max. repetitive
Repetitive surge current	I cr. max	67.5	A	
Tangent delta	tg $\delta$	$\leq 10$	$10^{-4}$	1 V / 1 kHz / 22°C
Stray inductance	ESL	$\leq 50$	nH	
Insulation resistance	Ri	$> 13'000$	M $\Omega$	100 VDC - 1 min
Test voltage between terminals	U T1	625	VAC	50 Hz / 2 sec.
Test voltage terminals to case	U T2	2500	VAC	50 Hz / 2 sec.
Operating temperature		- 40 ... + 85	°C	
Estimated operational life (-3%)		100'000	h	Un AC / 500 Hz

Dimension	Symbol	Value	Unit	Conditions
Diameter	D	30	mm	
Height	H	40	mm	
Terminals				
Lead	$\varnothing$	1.2	mm	
Thread spacing	e	$10.0 \pm 2$	mm	

	M1			
	M0			
	Modification	Date	Visa émetteur	

Condensateurs CH 1400 Yverdon-les-Bains  
 Kondensatoren Tel.: ++41 24 445 66 88  
 Capacitors Fax: ++41 24 445 66 89

**Le lanché**  
**Capacitors**  
A FIDONIT & TALENOR COMPANY

HJJ

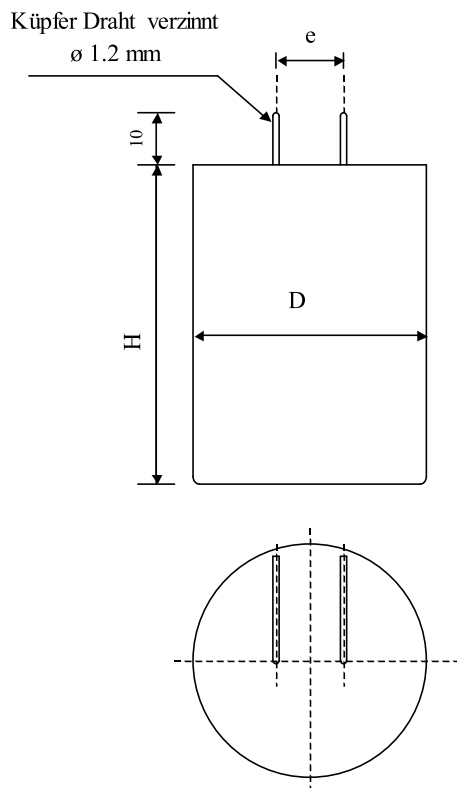
19.06.2008

faisab5731.XLS

#5797

HIGH TEMPERATURE FILM CAPACITORS

MKS 63-050 c3 G

Dielectric of metallized  
polyphenylene sulfide

Resin end sealing

Aluminium case

Parameter	Symbol	Value	Unit	Condition
Capacitance	C	0.5	$\mu\text{F}$	1 V / 1 kHz
Tolerance		$\pm 2$	%	
Rated voltage	Un DC	630	VDC	
Rated voltage	Un AC	250	Veff	0.5 / 1.0 / 2.0 kHz
slope of voltage variation	du/dt max.	150	V/ $\mu\text{sec}$	max. repetitive
Repetitive surge current	I cr. max	75	A	
Tangent delta	tg $\delta$	$\leq 10$	$10^{-4}$	1 V / 1 kHz / 22°C
Stray inductance	ESL	$\leq 50$	nH	
Insulation resistance	Ri	$> 10'000$	M $\Omega$	100 VDC - 1 min
Test voltage between terminals	U T1	625	VAC	50 Hz / 2 sec.
Test voltage terminals to case	U T2	2500	VAC	50 Hz / 2 sec.
Operating temperature		- 40 ... + 85	°C	
Estimated operational life (-3%)		100'000	h	Un AC

Dimension	Symbol	Value	Unit	Conditions
Diameter	D	30	mm	
Height	H	40	mm	
Terminals				
Lead	ø	1.2	mm	
Thread spacing	e	10.0 $\pm$ 2	mm	
	M1			
	M0			
	Modification	Date	Visa émetteur	

Condensateurs CH 1400 Yverdon-les-Bains  
 Kondensatoren Tel.: ++41 24 445 66 88  
 Capacitors Fax: ++41 24 445 66 89

**Le lanché**  
**Capacitors**  
A FISCHER & TALSCHER COMPANY

HJJ

23.03.2009

faisab5797.XLS

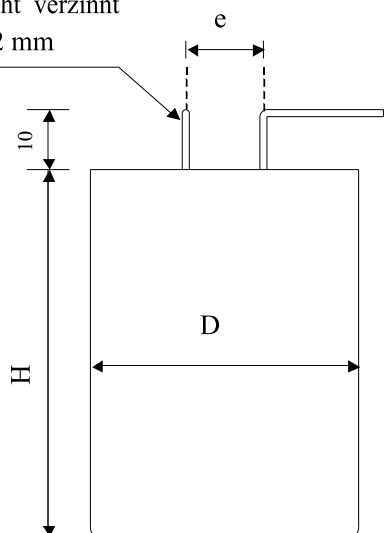
#5724

HIGH TEMPERATURE FILM CAPACITORS

MKS 63-071 c3 G

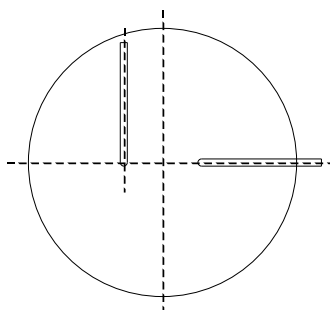
Küpfert Draht verzinkt

ø 1.2 mm

Dielectric of metallized  
polyphenylene sulfide

Resin end sealing

Aluminium case



Parameter	Symbol	Value	Unit	Condition
Capacitance	C	0.71	µF	1 V / 1 kHz
Tolerance		± 2	%	
Rated voltage	Un DC	630	VDC	
Rated voltage	Un AC	250	Veff	1 kHz
slope of voltage variation	du/dt max.	150	V/µsec	max. repetitive
Repetitive surge current	I cr. max	107	A	
Tangent delta	tgδ	≤ 10	10 <sup>-4</sup>	1 V / 1 kHz / 22°C
Stray inductance	ESL	≤ 50	nH	
Insulation resistance	Ri	> 8000	MΩ	100 VDC - 1 min
Test voltage between terminals	U T1	625	VAC	50 Hz / 2 sec.
Test voltage terminals to case	U T2	2500	VAC	50 Hz / 2 sec.
Operating temperature		- 40 ... + 85	°C	
Estimated operational life (-3%)		100'000	h	Un AC / 1 kHz
Dimension	Symbol	Value	Unit	Conditions
Diameter	D	30	mm	
Height	H	40	mm	
Terminals				
Lead	ø	1.2	mm	
Thread spacing	e	10.0 ± 2	mm	
	M1			
	M0			
	Modification	Date	Visa émetteur	

Condensateurs CH 1400 Yverdon-les-Bains  
 Kondensatoren Tel.: ++41 24 445 66 88  
 Capacitors Fax: ++41 24 445 66 89

**Le lanché**  
**Capacitors**  
A FISCHER & TAUSSIG COMPANY

HJJ

21.05.2008

faisab5724.XLS