

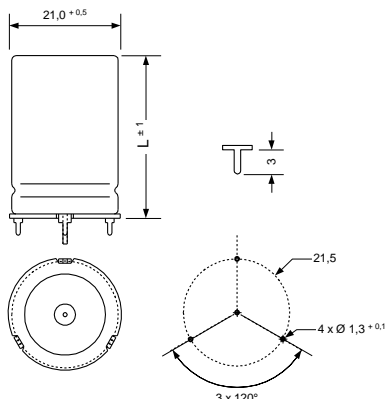
Leclanché Capacitors  
48, av. de Grandson  
1400 Yverdon, Switzerland



Tel. +41 24 445 66 88  
Fax +41 24 445 66 89  
[capinfo@Lcap.ch](mailto:capinfo@Lcap.ch)  
[www.Lcap.ch](http://www.Lcap.ch)

Customer : Leclanché  
Drawing No. : 1026458-53567  
created: HS 16.12.2013

**LCap p/n: LSG10206321039**



L : 21 mm  
D : 39 mm

**Electrical Parameters**

Rated Capacitance ( $C_R$ ) @ 100 Hz / 20 °C	<b>1000</b> $\mu$ F	
Tolerance	<b>±20</b> %	
Rated Voltage ( $U_R$ )	<b>63</b> V	
Surge Voltage ( $U_S$ ) max. 5 x 1 min / h	<b>72</b> V	
Reverse Voltage ( $U_U$ ) max. 1 s	<b>2</b> V	
Leakage Current ( $I_L$ ) @ $U_R$ / 5 min / 20 °C	<b>189</b> $\mu$ A	
ESR typ. @ 100 Hz / 20°C	<b>63</b> m $\Omega$	
Tan $\delta$ typ. @ 100 Hz / 20°C	<b>4</b> %	
Z max. @ 10 kHz / 20°C	<b>56</b> m $\Omega$	
ESL typ.	<b>10</b> nH	
Rated Ripple Current ( $I_R$ ) @ 100 Hz / 125 °C	<b>3</b> A	
Useful life @ $I_R$ , $U_R$ , 125 °C	<b>3000</b> h	
IEC Climatic category / Standards	<b>55/125/56</b>	<b>IEC 60384-4</b>
Applications	Industrial	
Your article No. / Project		