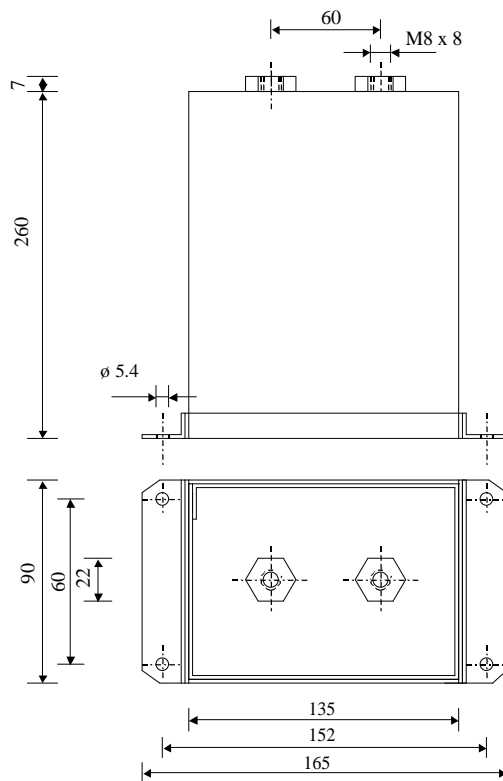


#5589

## Discharge Capacitors

PPMF 300-66.0 r K



Dielectric of metallized polypropylene

Threaded outputs

Resin end sealing

Aluminium case  
thick 1.2 mm

Parameter	Symbol	Value	Unit	Condition
Capacitance	C	66	μF	1 V / 1 kHz
Tolerance		± 10	%	
Rated voltage	Un DC	3'000	VDC	
Maximum voltage	Us max.	4'000	V	non. rep.
Rated voltage	Un AC	630	Veff	50 Hz
RMS Current	Ieff max	80	Aeff	1 kHz ... 100 kHz
slope of voltage variation	du/dt max.	37.9	V/μsec	max. repetitive
Repetitive surge current	I cr. max	2500	A	
Tangente delta	tgδ	9	10 <sup>-4</sup>	1 V / 1 kHz
Equivalent serie resistance	ESR	≤ 2	mΩ	10 kHz
Stray inductance	ESL	≤ 200	nH	
Insulation resistance	Ri x C	> 20'000	s	500 VDC - 1 min
Test voltage between terminals	U T1	4'500	VDC	10 s
Test voltage between terminals to case	U T2	3'500	VAC	50 Hz - 1 min
Operating temp.		- 25 / + 70 °C		
Estimated operational life (-3%)		> 5 x 10 <sup>6</sup>	Pulses	3000 V / 2500 A max 10 Hz
Dimension	Symbol	Value	Unit	Conditions
Width	B	90	mm	
Length	L	260	mm	
Height	H	135	mm	
Thread		M8 x 8	mm	
Thread spacing		60	mm	
	M1			
	M0			
	Modification	Date	Visa émetteur	

Condensateurs CH 1401 Yverdon-les-Bains  
 Kondensatoren Tel.: ++41 24 445 66 88  
 Capacitors Fax: ++41 24 445 66 89

**Le lancé**  
**Capacitors**  
A FISCHER & TROSCHE COMPANY

HJJ

09.08.2006

faisab5589.XLS