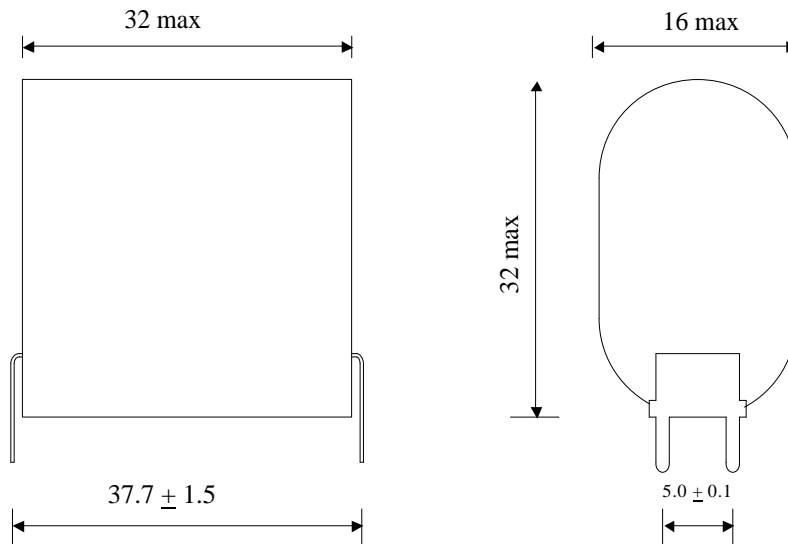


#5608

METALLIZED POLYPROPYLENE CAPACITORS

PPMCI 40-2.2 K



Dielectric of metallized polypropylene

Polyester wrapped / Epoxy resin sealing

Terminals for connection to printed board

Parameter	Symbol		Value	Unit	Condition
Capacitance	C		2.2	μF	1 V / 1 kHz
Tolerance			± 10	%	
Rated voltage	Un DC		400	VDC	
Rated voltage	Un AC		240	Veff	50 Hz
RMS current	I RMS max.		11	Aeff	10 kHz to 100 kHz
Tangente delta	tgδ		5	10 ⁻⁴	1 V / 1 kHz
Tangente delta	tgδ		9	10 ⁻⁴	1 V / 10 kHz
Stray inductance	ESL		≤ 12	nH	
Insulation resistance	Ri		> 18'000	MΩ	500 VDC - 1 min
Test voltage between terminals	U T1		600	VDC	10 s
Operating temp.			- 25 / + 100 °C		
Estimated operational life (-3%)			100000	h	70°C
Dimension	Symbol			Unit	Conditions
Width	B max		16	mm	
Height	H max		32	mm	
Length	L max		32	mm	
Terminals					
Tinned brass	(4 x)		1.0 x 0.8	mm	
	M1				
	M0				
	Modification	Date	Visa émetteur		

Condensateurs
Kondensatoren
Capacitors

CH 1401 Yverdon-les-Bains
Tel.: ++41 24 445 66 88
Fax: ++41 24 445 66 89

Le lanché
Capacitors
A FISCHER & TAUERSCHE COMPANY

HJJ

02.11.2006

faisab5608.XLS