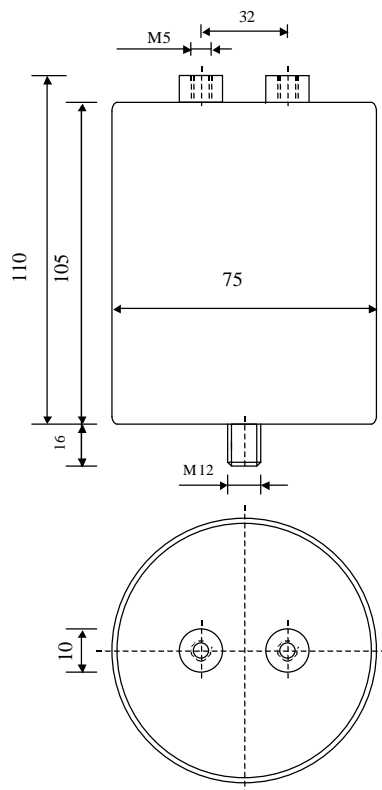


#5764

METALLIZED POLYPROPYLENE CAPACITORS

PPM 80-260.0 cv6 K



Dielectric of metallized polypropylene

Threaded outputs

Resin end sealing

Aluminium case

Parameter	Symbol	Value	Unit	Condition
Capacitance	C	260	μF	1 V / 1 kHz
Tolerance		± 10	%	
Rated voltage	Un DC	800	VDC	
RMS Current	I _{eff} max.	23	A _{eff}	60°C / 1 kHz
slope of voltage variation	du/dt max.	7	V/ μsec	max. repetitive
Equivalent serie resistance	ESR	< 4.0	m Ω	1 V / 1 kHz
Stray inductance	ESL	≤ 90	nH	
Insulation resistance	Ri x C	$\geq 30'000$	s	300 VDC - 1 min
Test voltage between terminals	U T1	1200	VDC	10 s
Test voltage terminals to case	U T2	2500	VAC	50 Hz / 1 min
Climatic category		27/70/56		
Estimated operational life (-5 %)		90'000	h	UN DC / 70°C
Dimension	Symbol	Value	Unit	Conditions
Diameter	D	75	mm	
Height	H	105	mm	
Terminals				
Thread		M5 x 10	mm	
Thread spacing	e	32	mm	
Fixing stud		M12 x 16	mm	
	M1			
	M0			
	Modification	Date	Visa émetteur	

Condensateurs
Kondensatoren
Capacitors

CH 1400 Yverdon-les-Bains
Tel.: ++41 24 447 22 82
Fax: ++41 24 447 22 85

Le lanché
Capacitors
A FIBSONY & FAISSEHE COMPANY

HJJ

08.12.2008

faisab5764.XLS