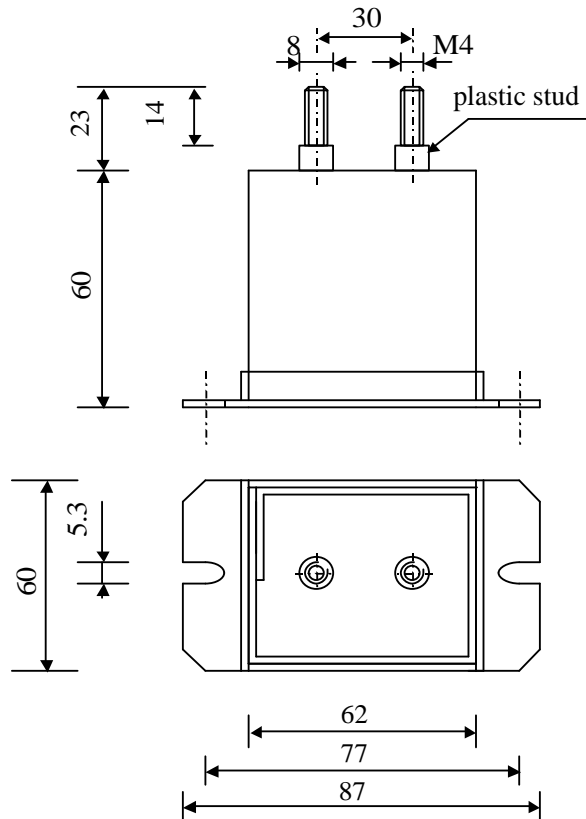


#5398

Metallized polypropylene capacitors

PPM 300-1 r K



Dielectric of metallized polypropylene

Threaded outputs

Epoxy resin end sealing

Aluminium case

Parameter	Symbol	Value	Unit	Condition
Capacitance	C	1	μF	1 V / 1 kHz
Tolerance		± 10	%	
Rated voltage	Un DC	3000	VDC	
Rated voltage	Un AC	1200	Veff	50 ... 3200 Hz
RMS Current	Ieff	24	Aeff	$f \geq 3200$ Hz
slope of voltage variation	du/dt max.	1000	V/ μsec	max. repetitive
Repetitive surge current	I cr. max	1000	A	
Power loss factor	tg δ	3	10^{-4}	1 V / 1 kHz
Equivalent serial resistance	ESR	≤ 6.0	m Ω	10 kHz
Stray inductance	ESL	≤ 160	nH	
Insulation resistance between terminals	Ri	> 10000	M Ω	500 VDC - 1 min
Insulation resistance between terminals to case	Ri case	$> 2'000$	M Ω	500 VDC - 1 min
Test voltage between terminals	U T1	4500	VDC	10 s
Test voltage terminals to case	U T2	3000	VAC	1 min
Operating temp.		- 25 / + 70 °C		
Estimated operational life (-3%)		100'000	h	Un DC - 70°C

Dimension	Symbol	Value	Unit	Conditions
Width	B	60	mm	
Length	L	62	mm	
Height	H	60	mm	
Thread		M4 x 14	mm	
Thread spacing		30	mm	
	M1			
	M0			
	Modification	Date	Visa émetteur	

Condensateurs CH 1400 Yverdon-les-Bains
 Kondensatoren Tel.: +41 24 445 66 88
 Capacitors Fax: +41 24 445 66 89

Le lanché
 Capacitors
 A PROUDLY ITALIAN COMPANY

289

18.11.2003

faisab5398.XLS