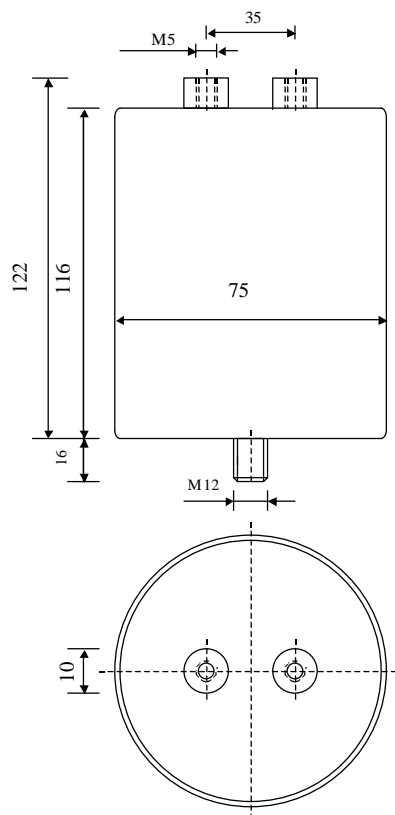


#5763

METALLIZED POLYPROPYLENE CAPACITORS

PPM 200-50.0 cv6 K



Preliminary
data Sheet

Dielectric of metallized
polypropylene

Threaded outputs

Resin end sealing

Aluminium case

| Parameter | Symbol | Value | Unit | Condition |
|-----------------------------------|-----------------------|---------------|------------------|-----------------|
| Capacitance | C | 50 | μF | 1 V / 1 kHz |
| Tolerance | | ± 10 | % | |
| Rated voltage | Un DC | 2000 | VDC | |
| Surge voltage | Us | 2600 | V cr. | |
| RMS Current | I _{eff max.} | | A _{eff} | |
| Repetitive surge current | I cr. max | | A | |
| Tangent delta | tg δ | \leq | 10^{-4} | 1 V / 1 kHz |
| Equivalent serie resistance | ESR | 25°C to 70°C | m Ω | 1 V / 10 kHz |
| Stray inductance | ESL | ≤ 50 | nH | |
| Insulation resistance | Ri x C | $\geq 30'000$ | s | 300 VDC - 1 min |
| Test voltage between terminals | U T1 | | VDC | 10 s |
| Test voltage terminals to case | U T2 | 5000 | VAC | 50 Hz / 1 min |
| Climatic category | | 27/70/56 | | |
| Estimated operational life (-5 %) | | | h | |
| | | | | |
| Dimension | Symbol | Value | Unit | Conditions |
| Diameter | D | 75 | mm | |
| Height | H | 116 | mm | |
| Terminals | | | | |
| Thread | | M5 x 10 | mm | |
| Thread spacing | e | 35 | mm | |
| Fixing stud | | M12 x 16 | mm | |
| Mass approx. | m | | kg | |
| | M1 | | | |
| | M0 | | | |
| | Modification | Date | Visa émetteur | |

Condensateurs CH 1400 Yverdon-les-Bains
Kondensatoren Tel.: ++41 24 447 22 82
Capacitors Fax: ++41 24 447 22 85

Le Janché
Capacitors
A FISCHER & PAUSCHER COMPANY

HJJ

17.11.2008

faisab5763.XLS