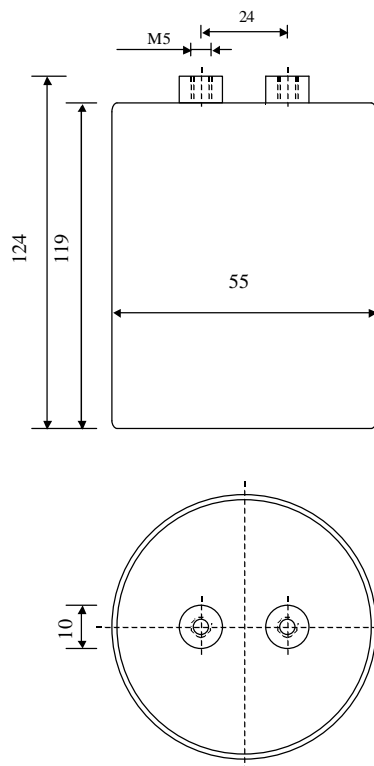


#5775

METALLIZED POLYPROPYLENE CAPACITORS

PPM 110-4.0 c6 K



Preliminary
data sheet

Dielectric of metallized
polypropylene

Threaded outputs

Resin end sealing

Aluminium case

Parameter	Symbol	Value	Unit	Condition
Capacitance	C	4	μF	1 V / 1 kHz
Tolerance		± 10	%	
Rated voltage	Un DC	1100	VDC	
Surge voltage	Us	2400	V cr.	
RMS Current	$I_{\text{eff max.}}$	15	Aeff	2 kHz to 100 kHz
slope of voltage variation	$du/dt \text{ max.}$	60	V/ μsec	max. repetitive
Tangent delta	$\text{tg}\delta$	≤ 6	10^{-4}	1 V / 1 kHz
Equivalent serie resistance	ESR	10	$\text{m}\Omega$	1 V / 10 kHz
Stray inductance	ESL	≤ 80	nH	
Insulation resistance	$R_i \times C$	$\geq 30'000$	s	300 VDC - 1 min
Test voltage between terminals	U T1	3000	VDC	10 s
Test voltage terminals to case	U T2	3000	VAC	50 Hz / 1 min
Climatic category		27/70/56		
Estimated operational life (-5 %)		100'000	h	UnDC / 70 °C
Dimension	Symbol		Unit	Conditions
Diameter	D	55	mm	
Height	H	119	mm	
Terminals				
Thread		M5 x 10	mm	
Thread spacing	e	24	mm	
	M1			
	M0			
	Modification	Date	Visa émetteur	

Condensateurs CH 1400 Yverdon-les-Bains
Kondensatoren Tel.: ++41 24 447 22 82
Capacitors Fax: ++41 24 447 22 85

Le Janché
Capacitors
A FISCHER & PAUSCHER COMPANY

HJJ

09.12.2008

faisab5775.XLS