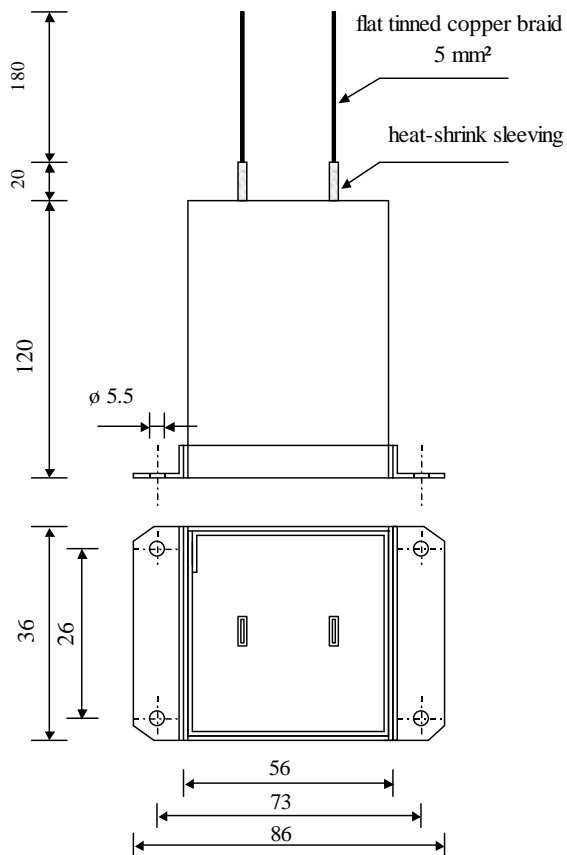


#5769

Tuning Unit Capacitors

MKS 16-125.9 r

Preliminary
data SheetDielectric of metallized
polyphenylene sulfide

Resin end sealing

Aluminium case
thick 1.2 mm

Parameter	Symbol	Value	Unit	Condition
Capacitance	C	125.9	μF	1 V / 2 kHz
Tolerance		+ 0 / -2	%	
Rated voltage	Un DC	160	VDC	
RMS Current	I _{eff max}	25	A _{eff}	1.7 kHz to 2.6 kHz
Equivalent serie resistance	ESR	≤ 4.5	m Ω	2 kHz
Stray inductance	ESL	≤ 390	nH	
Insulation resistance	Ri x C	> 20'000	s	100 VDC - 1 min
Test voltage between terminals	U T1	240	VDC	10 s
Test voltage between terminals to case	U T2	2'500	VAC	1 min

Dimension	Symbol	Value	Unit	Condition
Width	B	36	mm	
Length	L	56	mm	
Height	H	120	mm	
Output		2 x 5.0	mm ²	
	M1			
	M0			
	Modification	Date	Visa émetteur	

Condensateurs CH 1400 Yverdon-les-Bains
 Kondensatoren Tel.: ++41 24 445 66 88
 Capacitors Fax: ++41 24 445 66 89

Le Lanché
Capacitors
A FISCHER & FASCHER COMPANY

HJJ

20.11.2008

faisab5769.XLS