

**Order code:** DTIC 130-612.0 r (K)  
**Standard:** IEC EN 60110-1 : 1998

**Characteristics**

Rated power	Qn	325 kvar
Rated voltage	Un	1300 V
Rated frequency	fn	50 Hz
Rated current	In	250 A
Capacitance	Cn	612 µF ±10%
Loss factor at 50Hz	tanδ	2.5 x10 <sup>-4</sup>

**Cooling conditions**

	Ambient temper.	
Air cooling AF ≥2m/s:		-25..+40 °C
Storage temperature		-40..+70 °C

**Test data**

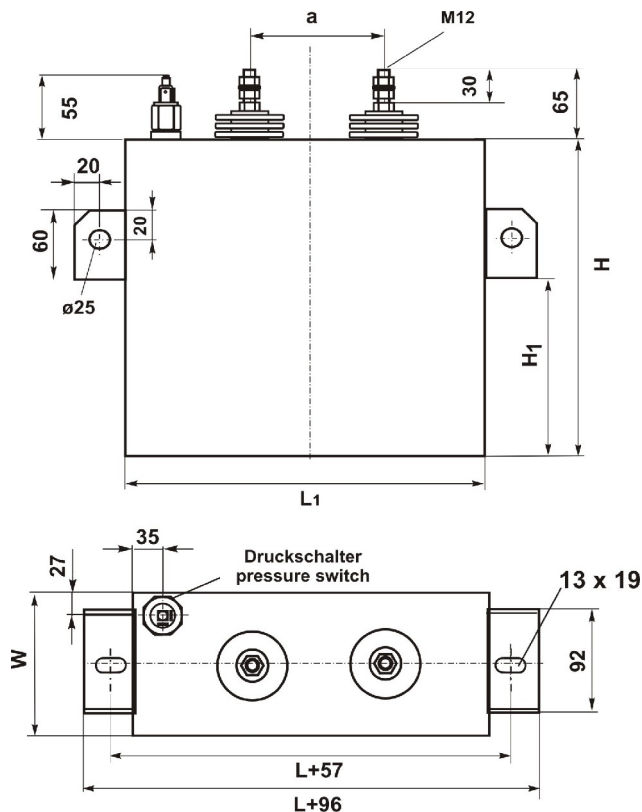
Test volt. terminal/terminal	2600 V AC
Test volt. term./container	2795 V AC

**Maximum ratings**

Admissible voltage 12h/d	1365 V
Max. rms current	300 A

**Appr. weight** 40 kg

**Outline drawing**



**Circuitry:**

single phase capacitor, no partial capacitances

**Discharging**

on request available with discharging resistor ( within 3min to < 75V)

**Dimensions**

Length of the case	L	340 mm
Width of the case	W	125 mm
Hight of the case	H	750 mm
Distance	H1	600 mm
Distance	a	140 mm
Terminal diameter	Da	68 mm
Clearance in air	L	45 mm
Creepage distance	K	120 mm

**Safety devices**

Pressure switch for monitoring of the internal pressure

**Dielectric:** metallized polypropylene, selfhealing  
**Impregnant:** dry type ,PUR resin  
**Case:** stainless steel, welded, painted  
**Fire load:** 1700MJ