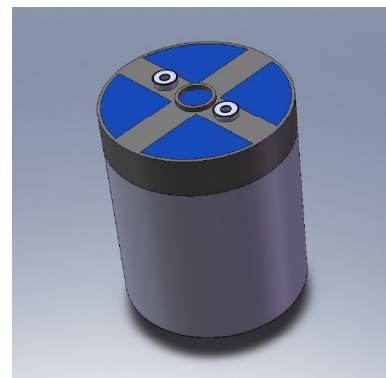
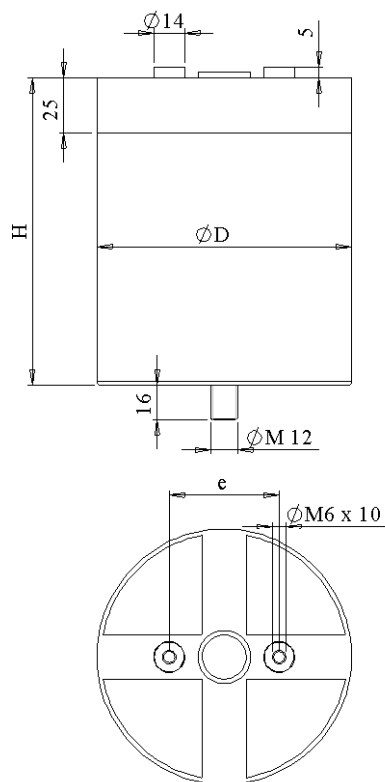


#6176

METALLIZED POLYPROPYLENE CAPACITORS

PPM 80-1000.0 cv6 K



PRELIMINARY

Dielectric of metallized polypropylene

Threaded outputs

Resin end sealing

Aluminium case

Parameter	Symbol	Value	Unit	Condition
Capacitance	C	1000	μF	1 V / 1 kHz
Tolerance		± 10	%	
Rated voltage	Un DC	800	VDC	
Maximum voltage	U max		VDC	
Surge voltage	Us		V cr.	20 ms
RMS Current	I _{eff}		A _{eff}	3 kHz to 10 kHz
Repetitive surge current	I cr. max		A	
Tangent delta	tg δ	\leq	10^{-4}	1 V / 1 kHz
Equivalent serie resistance	ESR	$<$	m Ω	1 V / 10 kHz
Stray inductance	ESL	\leq	nH	
Insulation resistance	Ri x C	\geq	s	500 VDC - 1 min
Test voltage between terminals	U T1	1200	VDC	10 s
Test voltage terminals to case	U T2	2500	VAC	1 min
Operating temp.		- 25 / + 85 °C		
Estimated operational life (-3 %)		$>$	h	Un DC / °C

Dimension	Symbol	Value	Unit	Conditions
Diameter	D	116	mm	
Height	H	145	mm	
Terminals				
Thread		M6 x 10	mm	
Thread spacing	e	50 \pm 0.5	mm	
Fixing stud		M12 x 16	mm	
	M1			
	M0			
	Modification	Date	Visa émetteur	

Condensateurs CH 1400 Yverdon, Switzerland
 Kondensatoren Tel.: ++41 24 447 22 82
 Capacitors Fax: ++41 24 447 22 85

Leclanché
Capacitors
A FISCHER & TAUSSIG COMPANY

HJJ

www.Lcap.ch
 23.04.2014

capinfo@Lcap.ch
 faisab6176.XLS