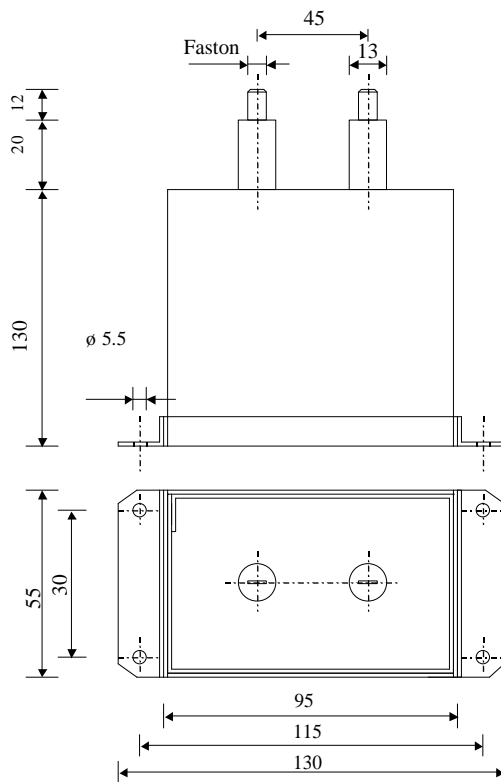


#6003

Metallized polypropylene capacitors

PPM 500-1.0 r K



Dielectric of metallized polypropylene

FASTON outputs

Resin end sealing

Aluminium case thick 1.2 mm

Parameter	Symbol	Value	Unit	Condition
Capacitance	C	1	μF	1 V / 1 kHz
Tolerance		± 10	%	
Rated voltage	Un DC	5'000	VDC	
Rated voltage	Un AC	1800	Veff	50 to 400 Hz
RMS Current	I _{eff max}	14	A _{eff}	10 kHz
slope of voltage variation	du/dt max.	500	V/ μsec	max. repetitive
Repetitive surge current	I _{cr. max}	500	A	
Tangent delta	tg δ	6	10^{-4}	1 V / 1 kHz
Equivalent serie resistance	ESR	≤ 40	m Ω	10 kHz
Stray inductance	ESL	≤ 150	nH	
Insulation resistance	Ri x C	$> 20'000$	s	500 VDC - 1 min
Test voltage between terminals	U T1	7'500	VDC	10 s
Test voltage between terminals to case	U T2	7'500	VDC	10 s
Operating temp.		- 25 / + 70 °C		
Estimated operational life (-3%)		100'000	h	Un DC / 70°C
Dimension	Symbol		Unit	Conditions
Width	B	55	mm	
Length	L	95	mm	
Height	H	130	mm	
Terminals FASTON		6.3 x 0.8	mm	
Raster		45	mm	
	M1			
	M0			
	Modification	Date	Visa émetteur	

Condensateurs CH 1400 Yverdon, Switzerland
 Kondensatoren Tel.: ++41 24 445 66 88
 Capacitors Fax: ++41 24 445 66 89

Lecaniché
Capacitors
A FISCHER & TALSCHER COMPANY

HJJ

www.Lcap.ch
 03.02.2011

capinfo@Lcap.ch
 faisab6003.XLS