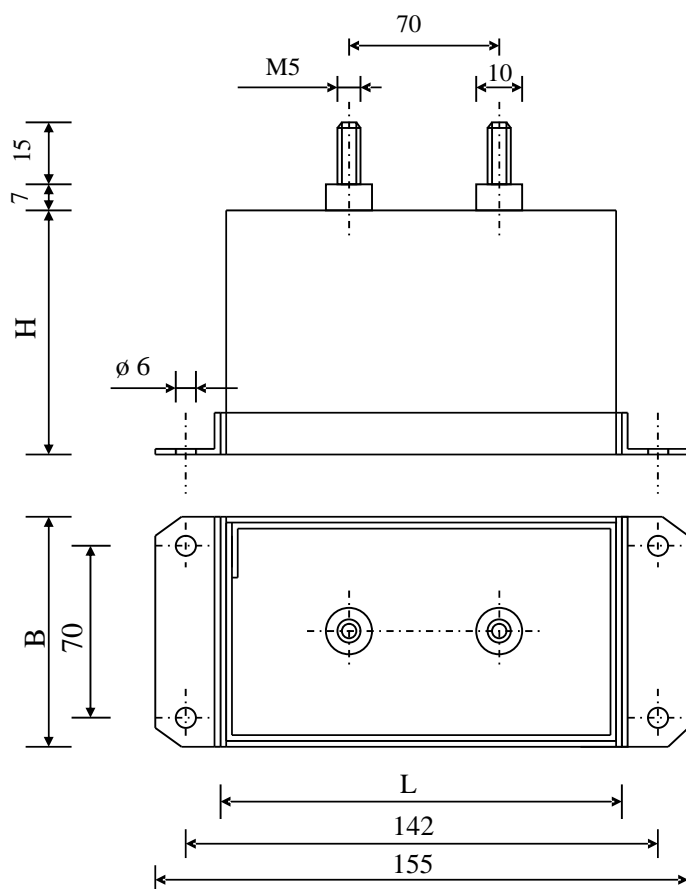


#6263

Metallized polypropylene capacitors

PPM 400-10.0 r K



Dielectric of metallized polypropylene

Threaded outputs

Resin end sealing

Aluminium case
thick 1.2 mm

| Parameter | Symbol | | Value | Unit | Condition |
|----------------------------------------|-----------|--|----------------|------------------|-----------------|
| Capacitance | C | | 10 | μF | 1 V / 100 Hz |
| Tolerance | | | ± 10 | % | |
| Rated voltage | Un DC | | 4'000 | VDC | |
| Surge voltage | Us | | 5'000 | VDC | |
| current | I cr. max | | 850 | A | |
| current | I RMS | | 20 | A | 1200 Hz / 50°C |
| Equivalent serie resistance | ESR | | ≤ 19 | $\text{m}\Omega$ | 1 kHz |
| Stray inductance | ESL | | ≤ 70 | nH | |
| Insulation resistance | Ri x C | | $> 30'000$ | s | 500 VDC - 1 min |
| Test voltage between terminals | U T1 | | 6'000 | VDC | 10 s |
| Test voltage between terminals to case | U T2 | | 3'500 | VAC | 50 Hz - 1 min |
| Operating temp. | | | - 40 / + 70 °C | | |
| Estimated operational life (-3 %) | | | 100'000 | h | 4000 VDC / 70°C |

| Dimension | Symbol | | Unit | Conditions |
|-----------|--------|----------|------|------------|
| Width | B | 105 | mm | |
| Length | L | 125 | mm | |
| Height | H | 75 | mm | |
| Thread | | M 5 x 15 | mm | |

M1

M0

Modification

Date

Visa émetteur

Condensateurs CH 1400 Yverdon, Switzerland

Kondensatoren

Tel.: ++41 24 445 66 88

Capacitors

Fax: ++41 24 445 66 89

Lecan
Capacitors
A FISCHER & TAUERSCHE COMPANY

HJJ

www.Lcap.ch
21.02.2014

capinfo@Lcap.ch
faisab6263.XLS