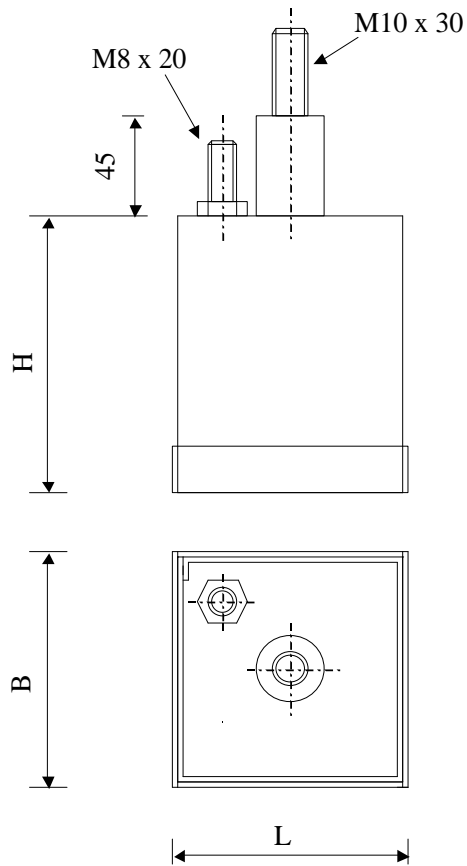


#6149

Metallized polypropylene capacitors

PPM 350-1.0 r K



Dielectric of metallized polypropylene

Threaded outputs

Resin end sealing

Aluminium case
thick 1.2 mm

| Parameter | Symbol | | Value | Unit | Condition |
|----------------------------------|----------------------|------|----------------|--------------------|-------------------------------------|
| Capacitance | C | | 1 | μF | 1 V / 1 kHz |
| Tolerance | | | ± 10 | % | |
| Rated voltage | $U_n \text{ DC}$ | | 3'500 | VDC | |
| Rated voltage | $U_n \text{ AC}$ | | 1500 | V_{eff} | 50 to 300 Hz |
| slope of voltage vari: | $du/dt \text{ max.}$ | | 1500 | V/ μsec | max. repetitive |
| Repetitive surge current | $I \text{ cr. max}$ | | 1500 | A | |
| Tangent delta | $\text{tg}\delta$ | | ≤ 4 | 10^{-4} | 1 V / 1 kHz |
| Tangent delta | $\text{tg}\delta$ | | ≤ 8 | 10^{-4} | 1 V / 10 kHz |
| Stray inductance | ESL | | ≤ 200 | nH | |
| Insulation resistance | R_i | | $> 20'000$ | $M\Omega$ | 500 VDC - 1 min |
| Test voltage between terminals | U_{T1} | | 5'250 | VDC | 60 s. |
| Operating temp. | | | - 30 / + 70 °C | | |
| Estimated operational life (-3%) | | | 100'000 | h | $U_n \text{ DC} / 70^\circ\text{C}$ |
| Dimension | Symbol | | | Unit | Conditions |
| Width | B | | 90 | mm | |
| Length | L | | 90 | mm | |
| Height | H | | 148 | mm | |
| Terminals | | | M 10 x 30 mm | mm | |
| | | | M8 x 20 mm | mm | |
| | M1 | | | | |
| | M0 | | | | |
| | Modification | Date | Visa émetteur | | |

Condensateurs CH 1400 Yverdon, Switzerland
 Kondensatoren Tel.: ++41 24 445 66 88
 Capacitors Fax: ++41 24 445 66 89

Lecaniché
Capacitors
A FISCHER & TZORSCHÉ COMPANY

HJJ

www.Lcap.ch
 24.01.2013

capinfo@Lcap.ch
 faisab6149.XLS