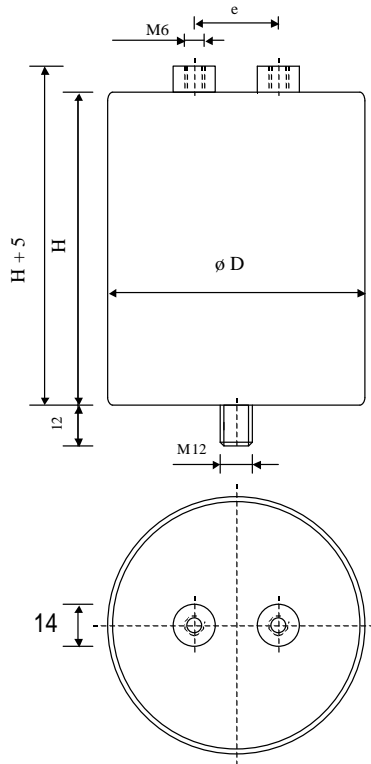


METALLIZED POLYPROPYLENE CAPACITORS

PPM 100-200.0 cv6 K



Dielectric of metallized polypropylene

Threaded outputs

Resin end sealing UL 94V-0

Aluminium case

Parameter	Symbol	Value	Unit	Condition
Capacitance	C	200	μF	1 V / 1 kHz
Tolerance		± 10	%	
Rated voltage	Un DC	1000	VDC	
Rated voltage	Un AC	450	VAC	
Surge Voltage	Us	1500	VDC	
RMS Current	leff max.	80	Aeff	Tcase at 30°C, 10 kHz
Max Peak periodic current	Ip	5000	A	max. repetitive
Max Pulse Rise Time	du/dt	25	25 V / μs	
Stray inductance	ESL	≤ 65	nH	
Dissipation Factor	tan delta	$\geq 25 \times 10^{-4}$		
Energy	Wn	100	W/s	
Series Resistance	Resr	< 2	m Ω	
Test voltage between terminals	U tt	1500	VDC	2 s
Test voltage terminals to case	U tc	3000	VAC	50 Hz / 10s
Climatic category		40/085/21		
Estimated lifetime hotspot 60°C		30k	h	
Dimension	Symbol		Unit	Conditions
Diameter	D	116	mm	$\pm 1\text{mm}$
Height	H	136	mm	$\pm 2\text{mm}$
Terminals				
Thread		M6 x 10	mm	
Thread spacing	e	50	mm	$\pm 0.5\text{mm}$
Fixing stud		M12 x 16	mm	
Approx. weight		1.8	kg	

Maximum Power Loss at hotspot 85°C, Natural Convection, 10kHz

Case Temp.	I	P _{MAX}
40°C	72.7	7.7W
50°C	64.1	5.8W
60°C	54.2	4.1W
70°C	42.0	2.5W

U_N derating

Case Temp.	U _{Nmax}
70°C	U _N x 1
75°C	U _N x 0.9
80°C	U _N x 0.8
85°C	U _N x 0.7