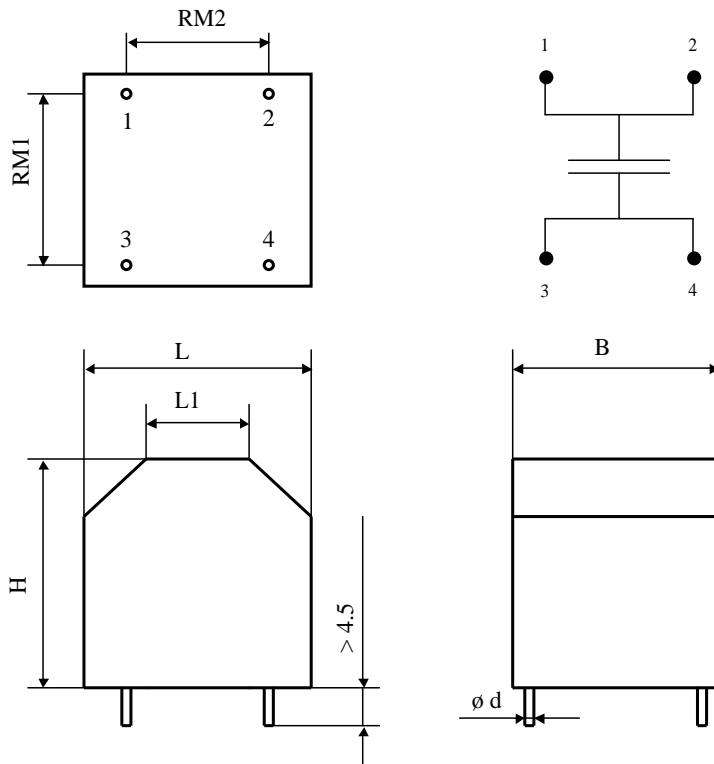


#5926

METALLIZED POLYPROPYLENE CAPACITORS

PPMJC-4 90-4.0 g K



Printed circuit board mounting

Self-extinguishing plastic housing

Epoxy resin sealing

Parameter	Symbol		Value	Unit	Condition
Capacitance	C		4	μF	1 V / 1 kHz
Tolerance			± 10	%	
Rated voltage	$U_n \text{ DC}$		900	VDC	
Rated voltage	$U_n \text{ AC}$		300	V_{eff}	50 Hz to 1 kHz
RMS current	$I \text{ RMS max.}$		22	A_{eff}	35 kHz
Operating conditions Temp. Amb. 45°C	$I \text{ RMS}$	35 kHz	35	A_{eff}	15 s. ON / 60 s. OFF
slope of voltage variation	$du/dt \text{ max.}$		110	$\text{V}/\mu\text{sec}$	max. repetitive
Repetitive surge current	$I \text{ cr. max}$		440	A	
Equivalent serie resistance	ESR		5.0	$\text{m}\Omega$	1 V / 10 kHz
Stray inductance	ESL		≤ 15	nH	
Insulation resistance	$R_i \times C$		$> 20'000$	s	100 VDC - 1 min
Test voltage between terminals	$U \text{ T1}$		1350	VDC	10 s
Climatic category			40/105/56		
Estimated operational life (-3%)			$> 100'000$	h	$U_n \text{ DC} / 70^\circ\text{C}$
Dimension	Symbol			Unit	Conditions
Width	B		36	mm	
Length	L		40	mm	
	L1		18	mm	
Height	H		40	mm	
Terminals tinned wire	$\varnothing d$		1.2	mm	
RM1			30	mm	
RM2			25	mm	
	M1				
	M0				
	Modification	Date	Visa émetteur		

Condensateurs CH 1400 Yverdon, Switzerland
 Kondensatoren Tel.: ++41 24 445 66 88
 Capacitors Fax: ++41 24 445 66 89

Leclanché
Capacitors
A FISCHER & TAUSSCH COMPANY

HJJ

www.Lcap.ch
 17.05.2010

capinfo@Lcap.ch
 faisab5926.XLS