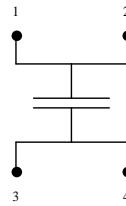
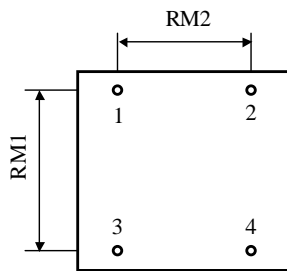


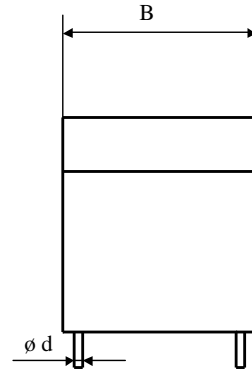
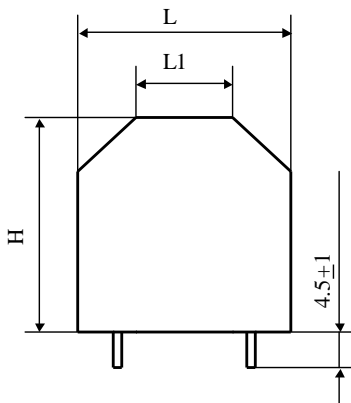
#5679

METALLIZED POLYPROPYLENE CAPACITORS

PPMJC-4 50-25.0 g (K)



Printed circuit board mounting



Self-extinguishing plastic housing

Epoxy resin sealing

Parameter	Symbol	Value	Unit	Condition
Capacitance	C	25	µF	1 V / 1 kHz
Tolerance		± 10	%	
Rated voltage	Un DC	500	VDC	
Rated voltage	Un AC	140	Veff	50 Hz to 1 kHz
RMS current	I RMS max.	29	Aeff	10 kHz to 30 kHz
slope of voltage variation	du/dt max.	45	V/µsec	max. repetitive
Repetitive surge current	I cr. max	1125	A	
Tangent delta dielectric	tgδo	≤ 2	10 ⁻⁴	1 to 100 kHz
Serie resistance	RS	≤ 2.2	mΩ	1 V / 10 kHz
Stray inductance	ESL	≤ 15	nH	
Insulation resistance	Ri x C	> 20'000	s	100 VDC - 1 min
Test voltage between terminals	U T1	750	VDC	10 s
Climatic category		40/105/56		
Estimated operational life (-3%)		> 100'000	h	Un DC / 70°C
Dimension	Symbol	Value	Unit	Conditions
Width	B	36	mm	
Length	L	40	mm	
	L1	18	mm	
Height	H	40	mm	
Terminals tinned wire	ø d	1.2	mm	
RM1		30	mm	
RM2		25	mm	
	M1			
	M0			
	Modification	Date	Visa émetteur	

Condensateurs CH 1400 Yverdon-les-Bains
 Kondensatoren Tel.: ++41 24 445 66 88
 Capacitors Fax: ++41 24 445 66 89

Le lanché
Capacitors
A FISCHER & TAUSSCH COMPANY

HJJ

12.07.2007

faisab5679.XLS

Hot spot calculation and life time expectancy

Calculate the maximum operating (hot spot) temperature :

$$\theta \text{ hot spot} = \theta \text{ ambient} + 16.7 \times (\text{ESR} \times \text{Irms}^2)$$

where θ in °C ESR in ohm Irms in ampere

LIFETIME EXPECTANCY VS HOT SPOT TEMPERATURE AND RATED VOLTAGE

