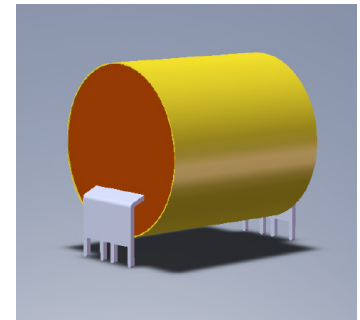
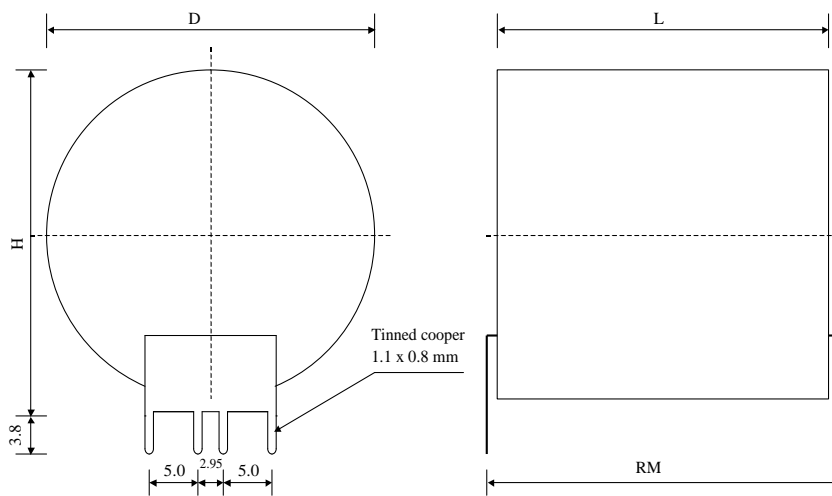


#5940

HIGH VOLTAGE METALLIZED CAPACITORS

PPMHT 400-022 CI K



Dielectric of metallized polypropylene

Polyester wrapped flammability UL 510 / Epoxy resin sealing UL 94-V0

Terminals for connection to Printed Circuit Board

Parameter	Symbol		Value	Unit	Condition
Capacitance	C		0.22	μF	1 V / 1 kHz
Tolerance			± 10	%	
Rated voltage	$U_n \text{ DC}$		4000	VDC	
Rated voltage	$U_n \text{ AC}$		750	V_{eff}	50 Hz to 400 Hz
RMS current permanent	$I_{\text{eff max}}$		3.68	A_{eff}	10 kHz
slope of voltage variation	$du/dt \text{ max.}$		275	V/ μsec	
Tangent delta	$\text{tg}\delta$		< 5	10^{-4}	1 V / 1 kHz
Tangent delta	$\text{tg}\delta$		6.4	10^{-4}	1 V / 10 kHz
Stray inductance	ESL		≤ 18	nH	
Insulation resistance	R_i		> 100'000	$\text{M}\Omega$	500 VDC - 1 min
Test voltage between terminals	U T1		6400	VDC	1 min.
Operating temp.			- 40 / + 85°C		
Estimated operational life (-3%)			> 100'000	h	$U_n \text{ DC} / 70^\circ\text{C}$
Dimension	Symbol			Unit	Conditions
Diameter	D max		23.5	mm	
Length	L max		48	mm	
Height	H max		24.5	mm	
Terminals					
Tinned cooper	(4 x)		1.1 x 0.8	mm	
RM			52 \pm 0.5	mm	
Mass approx.	m		27	g	
	M1				
	M0				
	Modification	Date	Visa émetteur		

Condensateurs CH 1400 Yverdon, Switzerland
 Kondensatoren Tel.: ++41 24 445 66 88
 Capacitors Fax: ++41 24 445 66 89

Leclanché
Capacitors
A FISCHER & TAUSSCHÉ COMPANY

HJJ

www.Lcap.ch
 07.06.2010

capinfo@Lcap.ch
 faisab5940.XLS