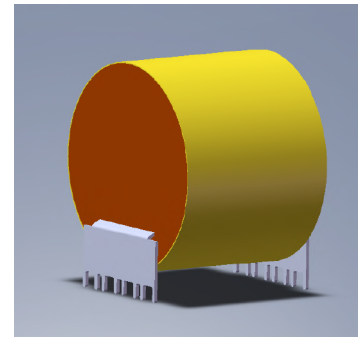
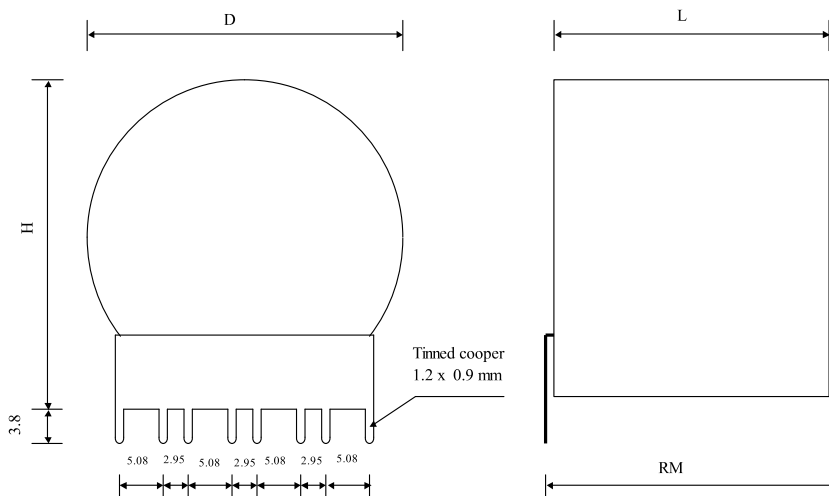


#5927

METALLIZED POLYPROPYLENE CAPACITORS

PPMCI 60-15.0 K



Preliminary

Dielectric of metallized polypropylene

Polyester wrapped flammability UL 510 / Epoxy resin sealing UL 94-V0

Terminals for connection to Printed Circuit Board

Parameter	Symbol		Value	Unit	Condition
Capacitance	C		15	μF	1 V / 1 kHz
Tolerance			± 10	%	
Rated voltage	Un DC		600	VDC	
RMS current permanent	I _{eff max.}		25	A _{eff}	200 kHz / 80°C
slope of voltage variation	du/dt max.		100	V/ μsec	
Tangent delta	tg δ		< 5	10^{-4}	1 V / 1 kHz
Equivalent series resistance	ESR		<	m Ω	1 V / 10 kHz
Stray inductance	ESL		≤ 18	nH	
Insulation resistance	R _i		> 600	M Ω	500 VDC - 1 min
Test voltage between terminals	U T1		960	VDC	10 s
Operating temp.			- 25 / + 80 °C		
Estimated operational life (-3%)			70'000	h	25 A RMS / 200 kHz 80°C
Dimension	Symbol			Unit	Conditions
Diameter	D max		50	mm	
Length	L max		39.5	mm	
Height	H max		51	mm	
Terminals					
Tinned cooper	(8 x)		1.2 x 0.9	mm	
RM				mm	
	M1				
	M0				
	Modification	Date	Visa émetteur		

Condensateurs CH 1400 Yverdon, Switzerland
 Kondensatoren Tel.: ++41 24 445 66 88
 Capacitors Fax: ++41 24 445 66 89

Leclanché
Capacitors
A FISHER & TULLOCH COMPANY

HJJ

www.Lcap.ch
 19.05.2010

capinfo@Lcap.ch
 faisab5927.XLS