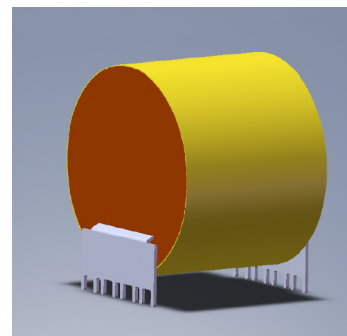
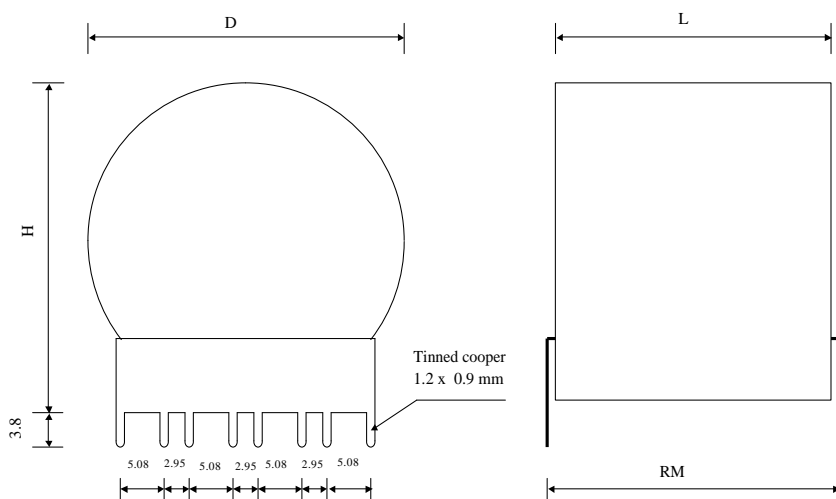


#5998

METALLIZED POLYPROPYLENE CAPACITORS

PPMCI 50-40.0 K



Dielectric of metallized polypropylene

Polyester wrapped flammability UL 510 / Epoxy resin sealing UL 94-V0

Terminals for connection to Printed Circuit Board

Parameter	Symbol		Value	Unit	Condition
Capacitance	C		40	$\mu\text{F}$	1 V / 1 kHz
Tolerance			$\pm 10$	%	
Rated voltage	Un DC		500	VDC	
Rated voltage	Un AC		110	Veff	
RMS current permanent	Ieff ma		45	Aeff	10 kHz
slope of voltage variation	du/dt max.		45	V/ $\mu\text{sec}$	
Tangent delta	tg $\delta$		< 6	$10^{-4}$	1 V / 1 kHz
Equivalent series resistance	ESR		< 1.1	m $\Omega$	1 V / 10 kHz
Stray inductance	ESL		$\leq 13$	nH	
Insulation resistance	Ri		> 500	M $\Omega$	500 VDC - 1 min
Test voltage between terminals	U T1		800	VDC	10 s
Climatic category			40/105/56		
Estimated operational life (-3%)			> 100'000	h	Un DC / 70°C
Dimension	Symbol			Unit	Conditions
Diameter	D max		45	mm	
Length	L max		33.5	mm	
Height	H max		46	mm	
Terminals					
Tinned cooper	( 8 x )		1.2 x 0.9	mm	
RM			37.5 $\pm$ 0.5	mm	
	M1				
	M0				
	Modification	Date	Visa émetteur		

Condensateurs CH 1400 Yverdon, Switzerland  
 Kondensatoren Tel.: ++41 24 445 66 88  
 Capacitors Fax: ++41 24 445 66 89

**Lecdanché**  
**Capacitors**  
A FISCHER & TAUSSCHÉ COMPANY

HJJ

www.Lcap.ch  
 21.01.2011

capinfo@Lcap.ch  
 faisab5998.XLS