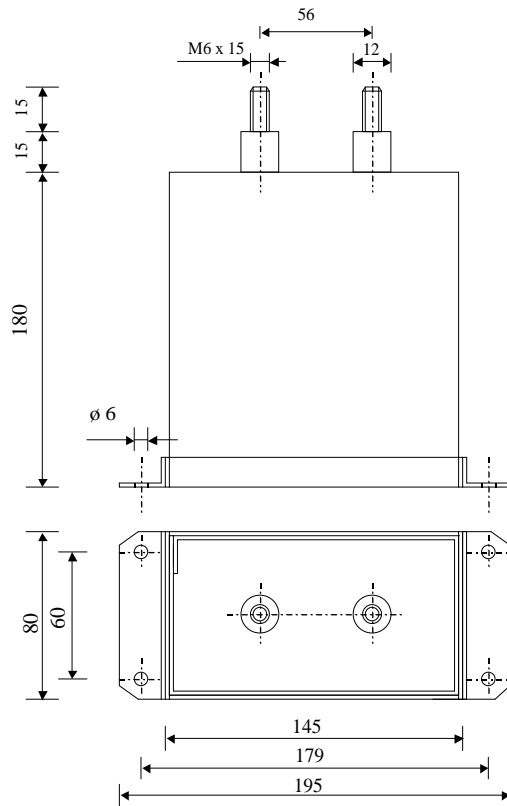


#5508

Metallized polypropylene capacitors

PPM 800-2.0 r K



Dielectric of metallized polypropylene

Threaded outputs

Resin end sealing

Aluminium case thick 1.2 mm

Parameter	Symbol	Value	Unit	Condition
Capacitance	C	2	$\mu\text{F}$	1 V / 1 kHz
Tolerance		$\pm 10$	%	
Rated voltage	Un DC	8'000	VDC	
Rated voltage	Un AC	2600	Veff	50 to 400 Hz
RMS Current	I <sub>eff max</sub>	20	A <sub>eff</sub>	10 kHz
slope of voltage variation	du/dt max.	500	V/ $\mu\text{sec}$	max. repetitive
Repetitive surge current	I cr. max	1000	A	
Tangente delta	tg $\delta$	7	$10^{-4}$	1 V / 1 kHz
Equivalent serie resistance	ESR	$\leq 25$	m $\Omega$	10 kHz
Stray inductance	ESL	$\leq 250$	nH	
Insulation resistance	Ri x C	$> 20'000$	s	500 VDC - 1 min
Test voltage between terminals	U T1	12'000	VDC	10 s
Test voltage between terminals to case	U T2	12'000	VDC	10 s
Operating temp.		- 25 / + 70 °C		
Estimated operational life (-3%)		100'000	h	Un DC / 70°C

Dimension	Symbol	Value	Unit	Conditions
Width	B	80	mm	
Length	L	145	mm	
Height	H	180	mm	
Thread		M6 x 15	mm	
Thread spacing		56	mm	

	M1			
	M0			
	Modification	Date	Visa émetteur	

Condensateurs CH 1401 Yverdon-les-Bains  
 Kondensatoren Tel.: ++41 24 445 66 88  
 Capacitors Fax: ++41 24 445 66 89

**Le lanché**  
**Capacitors**  
A FISCHER & MAUSCHÉ COMPANY

HJJ

29.08.2005

faisab5508.XLS