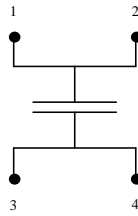
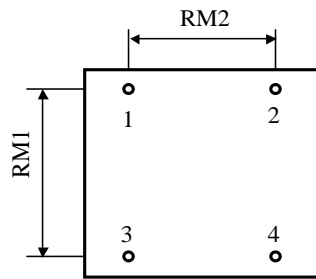


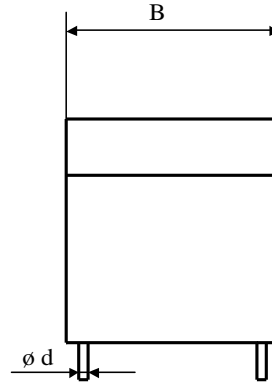
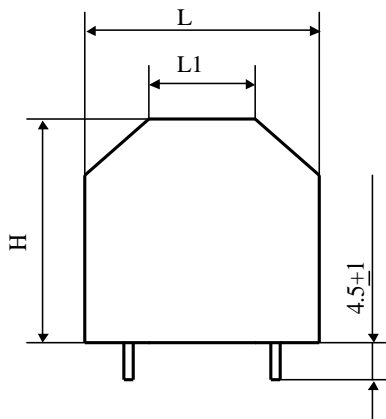
#5652

Power Electronics Capacitors

MKTJC-4 7.5-160.0 g (K)



Printed circuit board mounting



Self-extinguishing plastic housing

Dielectric of metallized polyester

Epoxy resin sealing

Parameter	Symbol	Value	Unit	Condition
Capacitance	C	160	μF	1 V / 1 kHz
Tolerance		± 10	%	
Rated voltage	Un DC	75	VDC	
Rated voltage	Un AC	40	Veff	50 to 200 Hz
RMS current	I RMS max.	2E	Aeff	10 kHz
slope of voltage variation	du/dt max.	7.2	V/ μsec	max. repetitive
Repetitive surge current	I cr. max	1150	A	
Tangent delta	tg δ	≤ 85	10^{-4}	1 kHz
Serie resistan	RS	≤ 0.7	m Ω	1 V / 10 kHz
Stray inductance	ESL	≤ 15	nH	
Insulation resistance	Ri x C	$> 10'000$	s	300 VDC - 1 min
Test voltage between terminals	U T1	113	VDC	10 s
Climatic category		40/105/56		
Estimated operational life (-3%)		$> 100'000$	h	Un DC / 70°C
Dimension	Symbol	Value	Unit	Conditions
Width	B	36	mm	
Length	L	40	mm	
	L1	1E	mm	
Height	H	40	mm	
Terminals tinned wire	ϕ d	1.2	mm	
RM1		30	mm	
RM2		25	mm	
	M1			
	M0			
	Modification	Date	Visa émetteur	

Condensateurs CH 1400 Yverdon, Switzerland
 Kondensatoren Tel.: ++41 24 445 66 88
 Capacitors Fax: ++41 24 445 66 89

Lecan
Capacitors
A FISCHER & TAUSSCH COMPANY

HJJ

www.Lcap.ch
 23.03.2007

capinfo@Lcap.ch
 faisab5652.XLS