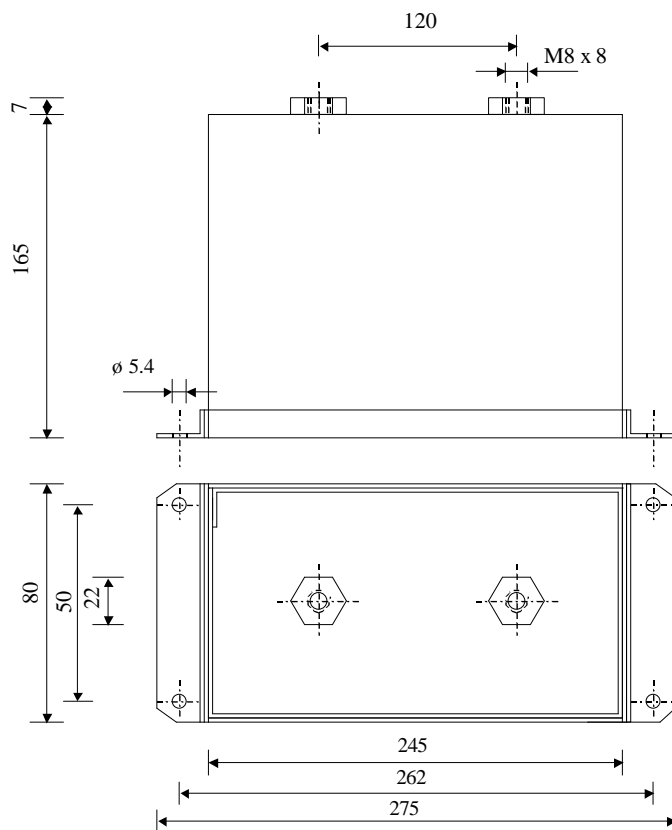


#5848

Discharge Capacitors

MKTF 50-10000.0 ru K



Dielectric of metallized polyester

Threaded outputs

Resin end sealing

Aluminium case
thick 1.2 mm

Parameter	Symbol	Value	Unit	Condition
Capacitance	C	10000	μ F	1 V / 100 Hz
Tolerance		± 10	%	
Rated voltage	Un DC	500	VDC	
Surge current	I cr. max	1'500	A	
Equivalent serie resistance	ESR	≤ 2.0	m Ω	1 kHz
Stray inductance	ESL	≤ 40	nH	
Insulation resistance	Ri x C	$> 10'000$	s	100 VDC - 1 min
Test voltage between terminals	U T1	550	VDC	10 s
Test voltage between terminals to case	U T2	2'500	VAC	50 Hz - 1 min
Operating temp.		- 25 / + 70 °C		
Estimated operational life		$> 14'000$	Pulses	500 V / 1500 A / 20 °C
Dimension	Symbol		Unit	Conditions
Width	B	80	mm	
Length	L	245	mm	
Height	H	165	mm	
Thread		M8 x 8	mm	
Thread spacing		120	mm	
	M1			
	M0			
	Modification	Date	Visa émetteur	

Condensateurs CH 1400 Yverdon-les-Bains
 Kondensatoren Tel.: ++41 24 445 66 88
 Capacitors Fax: ++41 24 445 66 89

Le Lanché
Capacitors
A FISCHER & TANCHE COMPANY

HJJ

11.09.2009

faisab5848.XLS