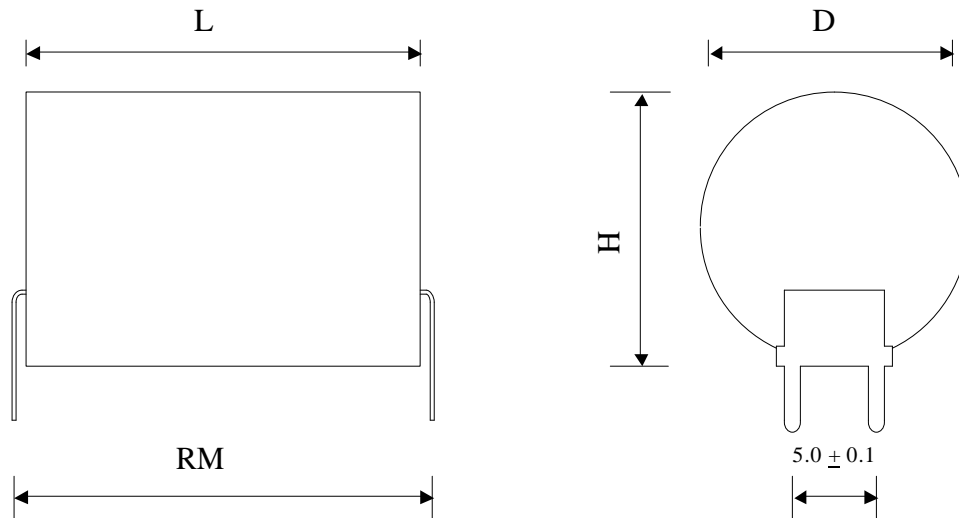


#5991

HIGH TEMPERATURE FILM CAPACITORS

MKSCI 10-20.0 K



Dielectric of metallized polyphenylene sulfide
 Polyester wrapped, Flammability UL 510
 Epoxy resin sealing UL 94-V0
 Terminals for connection to printed board

Parameter	Symbol		Value	Unit	Condition
Capacitance	C		20	μF	1 V / 1 kHz
Tolerance			± 10	%	
Rated voltage	Un DC		100	VDC	85°C
Tangent delta	$\text{tg}\delta$		≤ 15	10^{-4}	1 V / 1 kHz / 22°C
Stray inductance	ESL		≤ 20	nH	
Insulation resistance	Ri		> 500	M Ω	100 VDC - 1 min
Test voltage between terminals	U T1		160	VDC	1 min
Operating temperature			- 40 to + 85	°C	
Dimension	Symbol			Unit	Conditions
Diameter	D max		21	mm	
Height	H max		22	mm	
Length	L max		33.5	mm	
Terminals					
Tinned brass	(4 x)		1.0 x 0.8	mm	
RM			37.5 ± 0.7	mm	
	M1				
	M0				
	Modification	Date	Visa émetteur		

Condensateurs CH 1400 Yverdon, Switzerland
 Kondensatoren Tel.: ++41 24 445 66 88
 Capacitors Fax: ++41 24 445 66 89

Leclanché
Capacitors
A FISCHER & TAUSSCHKE COMPANY

HJJ

www.Lcap.ch
 07.01.2011

capinfo@Lcap.ch
 faisab5991.XLS