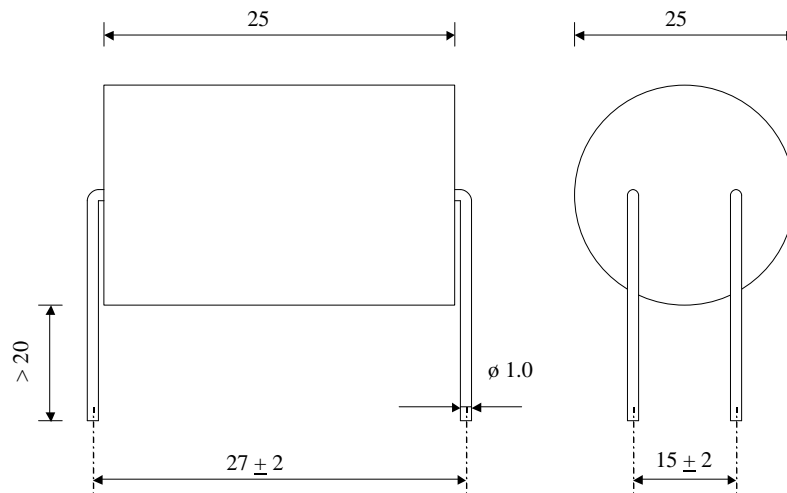


# 5682	METALLIZED POLYPROPYLENE + FILM-FOIL CAPACITORS	TYPE KPS-4 200-115 d K
--------	--	---------------------------



Dielectric: Polypropylene metallized + film-foil

Polyester wrapped / Epoxy resin sealing

Paramètre	Symbol	Value	Unit	Condition
Capacitance	C	15	nF	20°C, 1 kHz
Tolérance		10	%	
Rated voltage	Un DC	2000	VDC	
Rated voltage	Un AC	650	VAC	
Slope of voltage variation	du/dt max.	10'000	V/μs	max. repetitive
Repetitive surge current	I cr. max	150	A	max. repetitive
RMS Current	I _{eff} max.	8	A _{eff}	f > 330 kHz
Stray inductance	ESL	< 22	nH	
Serial resistance	Rs	3	mΩ	
Tangent delta dielectric	tgδ _o	2	10 ⁻⁴	
Insulation resistance	Ri	> 100'000	MΩ	500 VDC - 1 min
Test voltage between terminals	U T1	3000	VDC	10 sec.
Climatic category		40/85/56		
Estimated operational life (-3 %)		100'000	h	Un DC / 70°C

Dimension	Symbole	Unité	Conditions
Diameter	∅	25	mm
Height	H	25	mm
Terminals			
Axial tinned wire 4 x		∅ 1.0	mm

Tentatives Values only, subject to technical modification	M2		
	M1		
	M0		
	Modification	Date	Visa émetteur