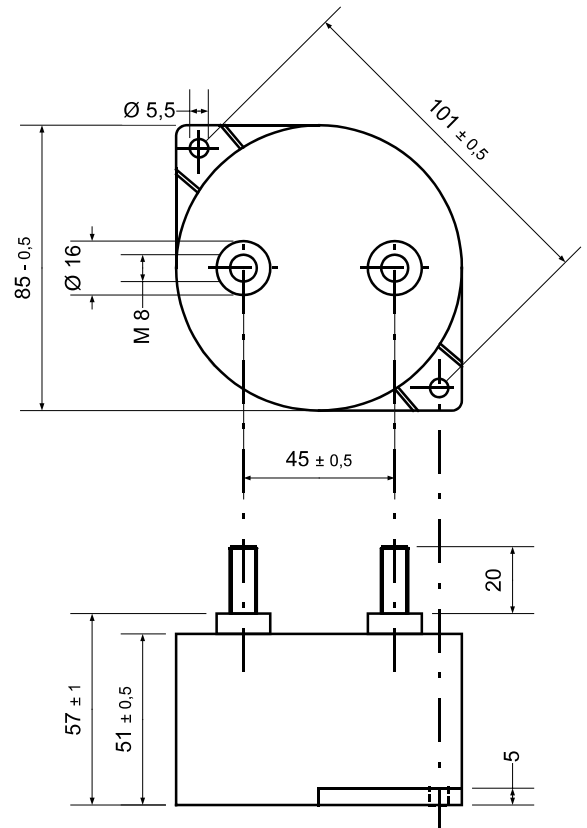


# Film-Foil Capacitors

## Technical data

Nominal capacitance	$C_N$	100 $\mu\text{F} \pm 10\%$
Nominal voltage dc	$U_{\text{NDC}}$	900 V
Energy	$W_N$	40,5 Ws
Nominal current	$I_N$	90 A
Max. Peak current	$\hat{I}$	2240 A
Max. Pulse rise time	$\Delta U/\Delta t$	22,4 V/ $\mu\text{s}$
Series resistance	$R_{\text{ESR}}$	< 1,0 m $\Omega$
Dissipation factor	$\tan\delta$	2 x10 <sup>-4</sup>
Self inductance	$L_E$	<15 nH
Min. Operating temperature	$\vartheta_{\text{min}}$	-25 °C
Max. Operating temperature	$\vartheta_{\text{max}}$	+85°C
Storage temperature	$\vartheta_{\text{Lager}}$	-40...+85 °C
Climatic category DIN IEC 68/1		25/070/21



## Test Data

Test voltage between terminals	$U_{\text{TT}}$	1350 V dc / 10s
--------------------------------	-----------------	-----------------

<b>Life expectancy</b> @ hot spot		30000 h 60 °C
--------------------------------------	--	------------------

## General technical data

Coating	plastic case with resin sealing Flame retardant according to UL 94V-0
Dielectric	polypropylene
Terminals	nickel-plated brass M8 x 20
Weight	~ 0,4 kg

## Other C/U combinations

Voltage [Vdc]	Capacitance [ $\mu\text{F}$ ]	$I_{\text{rms}}$ max [A]	$L_E$ max [nH]	$R_{\text{ESR}}$ [m $\Omega$ ]	Order Code
500	200	90	< 15	< 0,9	CXPLP200 $\mu$ 500d085051
700	150	100	< 15	< 1,0	CXPLP150 $\mu$ 700d085051
900	100	90	< 15	< 1,0	CXPLP100 $\mu$ 900d085051
1100	70	100	< 15	< 1,3	CXPLP70 $\mu$ 1.1kd085051

Please ask for more details and other C/U - combinations

Condensateurs CH-1400 Yverdon-les-Bains  
Kondensatoren Tél. : ++41 24 445 66 88  
Capacitors Fax : ++41 24 445 66 89  
capinfo@lcap.ch

**Le lanché**  
**Capacitors**  
A FISCHER & TAUSSIG COMPANY

04.06.2008